

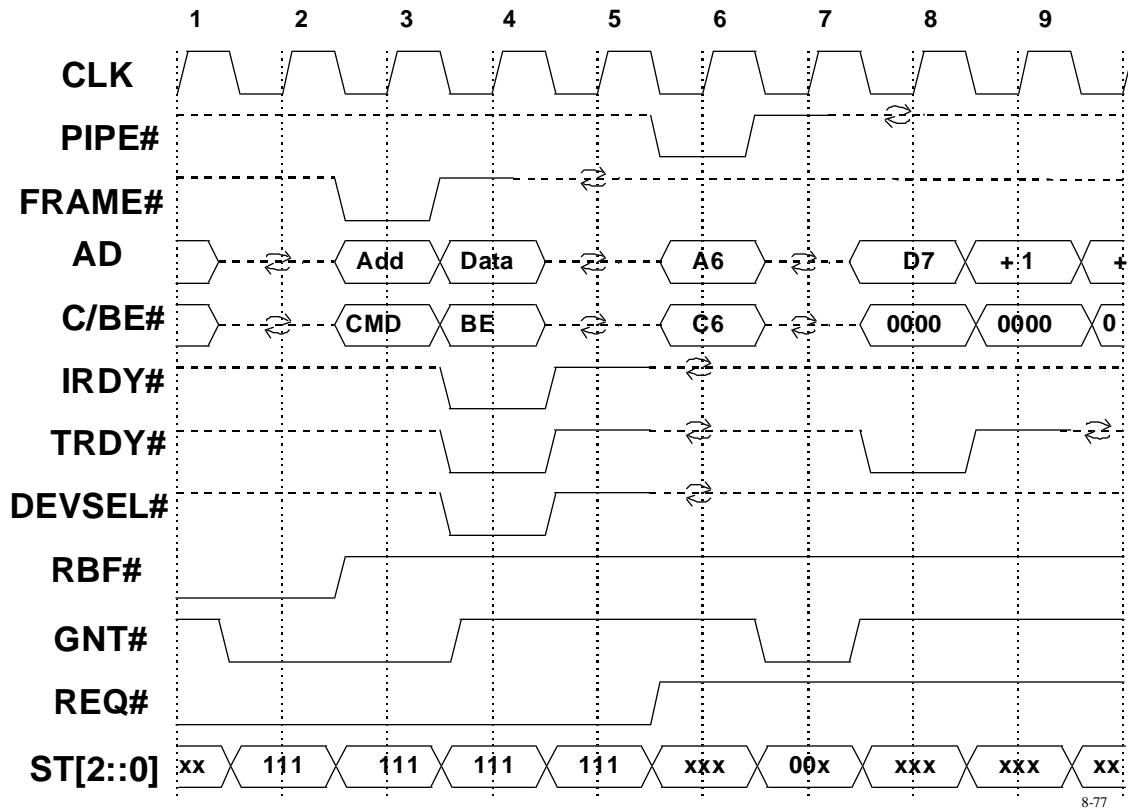
ECR #: 8
Title: Error In figure 8-77
Release Date: Nov. 15, 1996
Impact: Clarification
Spec Version: A.G.P. 1.0

Summary:

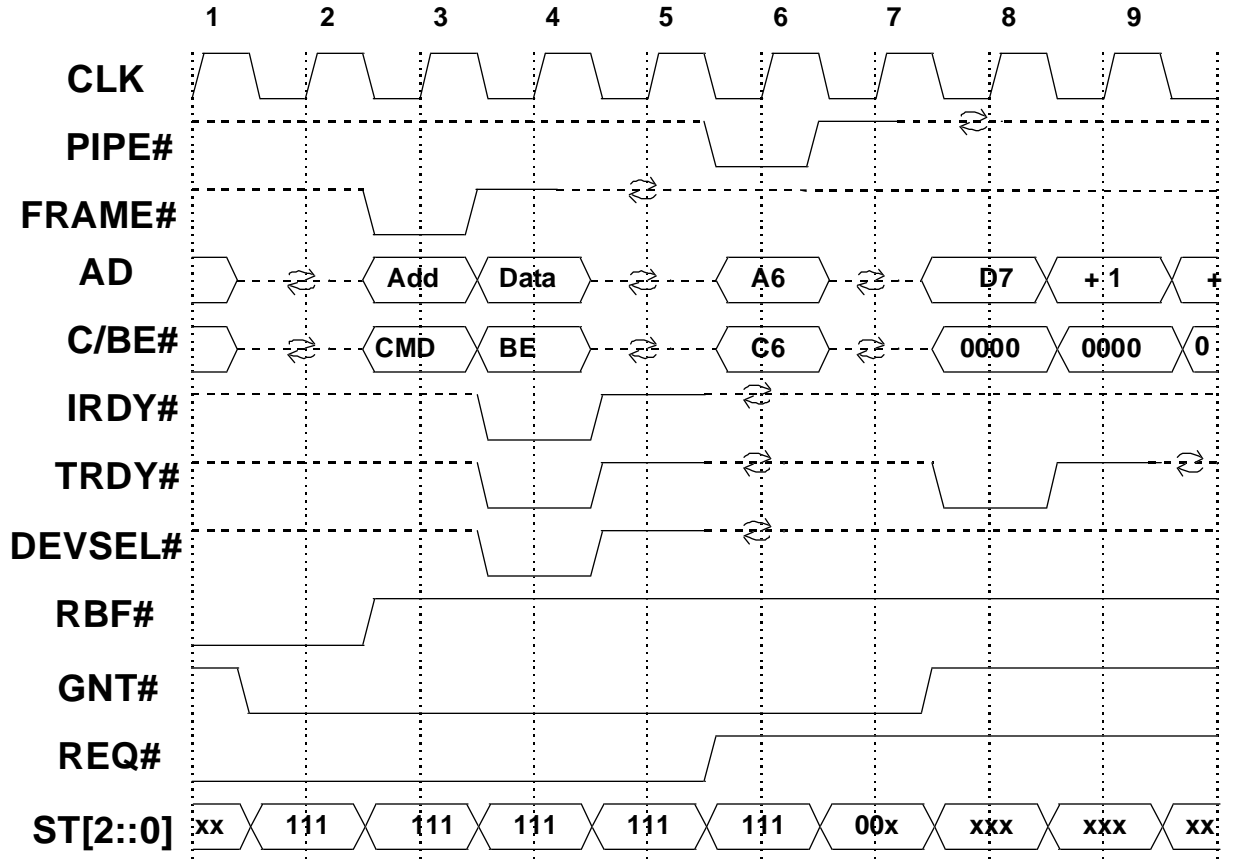
Figure 8-77 has an protocol error. GNT# should be asserted from clock 2 thru 7. ST signals need to reflect this change.

Background:

Current Figure



Change Current Specification as shown:



8-77