



AP-70

**APPLICATION
NOTE**

Using the Intel MCS[®]-51 Boolean Processing Capabilities

**JOHN WHARTON
MICROCONTROLLER APPLICATIONS**

April 1980

Order Number: 203830-001



Information in this document is provided in connection with Intel products. Intel assumes no liability whatsoever, including infringement of any patent or copyright, for sale and use of Intel products except as provided in Intel's Terms and Conditions of Sale for such products.

Intel retains the right to make changes to these specifications at any time, without notice. Microcomputer Products may have minor variations to this specification known as errata.

*Other brands and names are the property of their respective owners.

†Since publication of documents referenced in this document, registration of the Pentium, OverDrive and iCOMP trademarks has been issued to Intel Corporation.

Contact your local Intel sales office or your distributor to obtain the latest specifications before placing your product order.

Copies of documents which have an ordering number and are referenced in this document, or other Intel literature, may be obtained from:

Intel Corporation
P.O. Box 7641
Mt. Prospect, IL 60056-7641
or call 1-800-879-4683

**USING THE INTEL MCS[®]-51
BOOLEAN PROCESSING
CAPABILITIES**

CONTENTS	PAGE
1.0 INTRODUCTION	1
2.0 BOOLEAN PROCESSOR OPERATION	2
Processing Elements	3
Direct Bit Addressing	5
Instruction Set	8
Simple Instruction Combinations	10
3.0 BOOLEAN PROCESSOR APPLICATIONS	12
Design Example # 1—Bit Permutation	12
Design Example # 2—Software Serial I/O	17
Design Example # 3—Combinational Logic Equations	19
Design Example # 4—Automotive Dashboard Functions	23
Design Example # 5—Complex Control Functions	30
Additional Functions and Uses	39
4.0 SUMMARY	40
APPENDIX A	A-1



1.0 INTRODUCTION

The Intel microcontroller family now has three new members: the Intel 8031, 8051, and 8751 single-chip microcomputers. These devices, shown in Figure 1, will allow whole new classes of products to benefit from recent advances in Integrated Electronics. Thanks to Intel's new HMOS technology, they provide larger program and data memory spaces, more flexible I/O and peripheral capabilities, greater speed, and lower system cost than any previous-generation single-chip micro-computer.

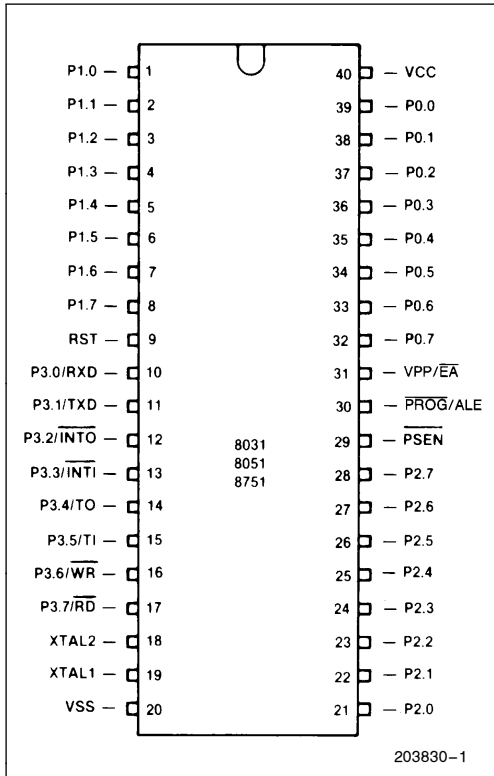


Figure 1. 8051 Family Pinout Diagram

Table 1 summarizes the quantitative differences between the members of the MCS[®]-48 and 8051 families. The 8751 contains 4K bytes of EPROM program memory fabricated on-chip, while the 8051 replaces the EPROM with 4K bytes of lower-cost mask-programmed ROM. The 8031 has no program memory on-chip; instead, it accesses up to 64K bytes of program memory from external memory. Otherwise, the three new family members are identical. Throughout this Note, the term "8051" will represent all members of the 8051 Family, unless specifically stated otherwise.

The CPU in each microcomputer is one of the industry's fastest and most efficient for numerical calculations on byte operands. But controllers often deal with bits, not bytes: in the real world, switch contacts can only be open or closed, indicators should be either lit or dark, motors are either turned on or off, and so forth. For such control situations the most significant aspect of the MCS[®]-51 architecture is its complete hardware support for one-bit, or *Boolean* variables (named in honor of Mathematician George Boole) as a separate data type.

The 8051 incorporates a number of special features which support the direct manipulation and testing of individual bits and allow the use of single-bit variables in performing logical operations. Taken together, these features are referred to as the MCS-51 *Boolean Processor*. While the bit-processing capabilities alone would be adequate to solve many control applications, their true power comes when they are used in conjunction with the microcomputer's byte-processing and numerical capabilities.

Many concepts embodied by the Boolean Processor will certainly be new even to experienced microcomputer system designers. The purpose of this Application Note is to explain these concepts and show how they are used.

For detailed information on these parts refer to the **Intel Microcontroller Handbook**, order number 210918. The instruction set, assembly language, and use of the 8051 assembler (ASM51) are further described in the **MCS[®]-51 Macro Assembler User's Guide for DOS Systems**, order number 122753.

Table 1. Features of Intel's Single-Chip Microcomputers

EPROM Program Memory	ROM Program Memory	External Program Memory	Program Memory (Int/Max)	Data Memory (Bytes)	Instr. Cycle Time	Input/Output Pins	Interrupt Sources	Reg. Banks
8748	8048	8035	1K 4K	64	2.5 μ s	27	2	2
—	8049	8039	2K 4K	128	1.36 μ s	27	2	2
8751	8051	8031	4K 64K	128	1.0 μ s	32	5	4

2.0 BOOLEAN PROCESSOR OPERATION

The Boolean Processing capabilities of the 8051 are based on concepts which have been around for some time. Digital computer systems of widely varying designs all have four functional elements in common (Figure 2):

- a central processor (CPU) with the control, timing, and logic circuits needed to execute stored instructions:
- a memory to store the sequence of instructions making up a program or algorithm:
- data memory to store variables used by the program:
and
- some means of communicating with the outside world.

The CPU usually includes one or more accumulators or special registers for computing or storing values during program execution. The instruction set of such a processor generally includes, at a minimum, operation classes to perform arithmetic or logical functions on program variables, move variables from one place to another, cause program execution to jump or conditionally branch based on register or variable states, and instructions to call and return from subroutines. The program and data memory functions sometimes share a single memory space, but this is not always the case. When the address spaces are separated, program and data memory need not even have the same basic word width.

A digital computer's flexibility comes in part from combining simple fast operations to produce more com-

plex (albeit slower) ones, which in turn link together eventually solving the problem at hand. A four-bit CPU executing multiple precision subroutines can, for example, perform 64-bit addition and subtraction. The subroutines could in turn be building blocks for floating-point multiplication and division routines. Eventually, the four-bit CPU can simulate a far more complex "virtual" machine.

In fact, *any* digital computer with the above four functional elements can (given time) complete *any* algorithm (though the proverbial room full of chimpanzees at word processors might first re-create Shakespeare's classics and this Application Note)! This fact offers little consolation to product designers who want programs to run as quickly as possible. By definition, a real-time control algorithm *must* proceed quickly enough to meet the preordained speed constraints of other equipment.

One of the factors determining how long it will take a microcomputer to complete a given chore is the number of instructions it must execute. What makes a given computer architecture particularly well- or poorly-suited for a class of problems is how well its instruction set matches the tasks to be performed. The better the "primitive" operations correspond to the steps taken by the control algorithm, the lower the number of instructions needed, and the quicker the program will run. All else being equal, a CPU supporting 64-bit arithmetic directly could clearly perform floating-point math faster than a machine bogged-down by multiple-precision subroutines. In the same way, direct support for bit manipulation naturally leads to more efficient programs handling the binary input and output conditions inherent in digital control problems.

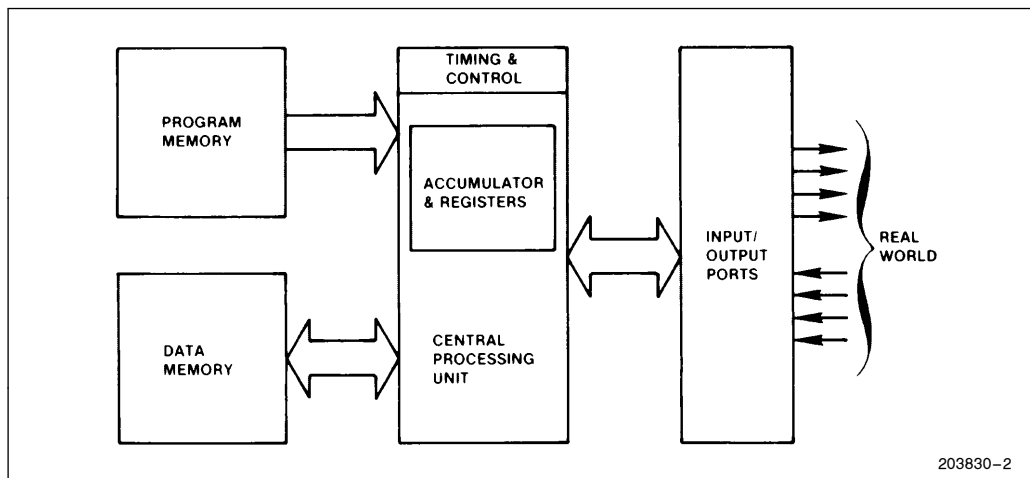


Figure 2. Block Diagram for Abstract Digital Computer

Processing Elements

The introduction stated that the 8051's bit-handling capabilities alone would be sufficient to solve some control applications. Let's see how the four basic elements of a digital computer—a CPU with associated registers, program memory, addressable data RAM, and I/O capability—relate to Boolean variables.

CPU. The 8051 CPU incorporates special logic devoted to executing several bit-wide operations. All told, there are 17 such instructions, all listed in Table 2. Not shown are 94 other (mostly byte-oriented) 8051 instructions.

Program Memory. Bit-processing instructions are fetched from the same program memory as other arithmetic and logical operations. In addition to the instruc-

tions of Table 2, several sophisticated program control features like multiple addressing modes, subroutine nesting, and a two-level interrupt structure are useful in structuring Boolean Processor-based programs.

Boolean instructions are one, two, or three bytes long, depending on what function they perform. Those involving only the carry flag have either a single-byte opcode or an opcode followed by a conditional-branch destination byte (Figure 3a). The more general instructions add a "direct address" byte after the opcode to specify the bit affected, yielding two or three byte encodings (Figure 3b). Though this format allows potentially 256 directly addressable bit locations, not all of them are implemented in the 8051 family.

Table 2. MCS-51 Boolean Processing Instruction Subset

Mnemonic	Description	Byte	Cyc
SETB C	Set Carry flag	1	1
SETB bit	Set direct Bit	2	1
CLR C	Clear Carry flag	1	1
CLR bit	Clear direct bit	2	1
CPL C	Complement Carry flag	1	1
CPL bit	Complement direct bit	2	1
MOV C,bit	Move direct bit to Carry flag	2	1
MOV bit,C	Move Carry flag to direct bit	2	2
ANL C,bit	AND direct bit to Carry flag	2	2
ANL C,bit	AND complement of direct bit to Carry flag	2	2
ORL C,bit	OR direct bit to Carry flag	2	2
ORL C,bit	OR complement of direct bit to Carry flag	2	2
JC rel	Jump if Carry is flag is set	2	2
JNC rel	Jump if No Carry flag	2	2
JB bit,rel	Jump if direct Bit set	3	2
JNB bit,rel	Jump if direct Bit Not set	3	2
JBC bit,rel	Jump if direct Bit is set & Clear bit	3	2

Address mode abbreviations
 C—Carry flag.
 bit—128 software flags, any I/O pin, control or status bit.
 rel—All conditional jumps include an 8-bit offset byte. Range is +127 -128 bytes relative to first byte of the following instruction.

All mnemonics copyrighted © Intel Corporation 1980.

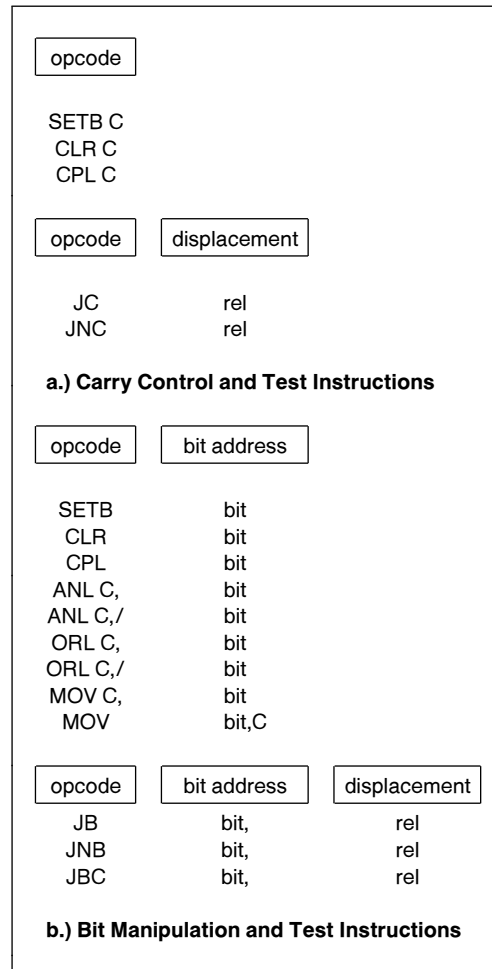


Figure 3. Bit Addressing Instruction Formats

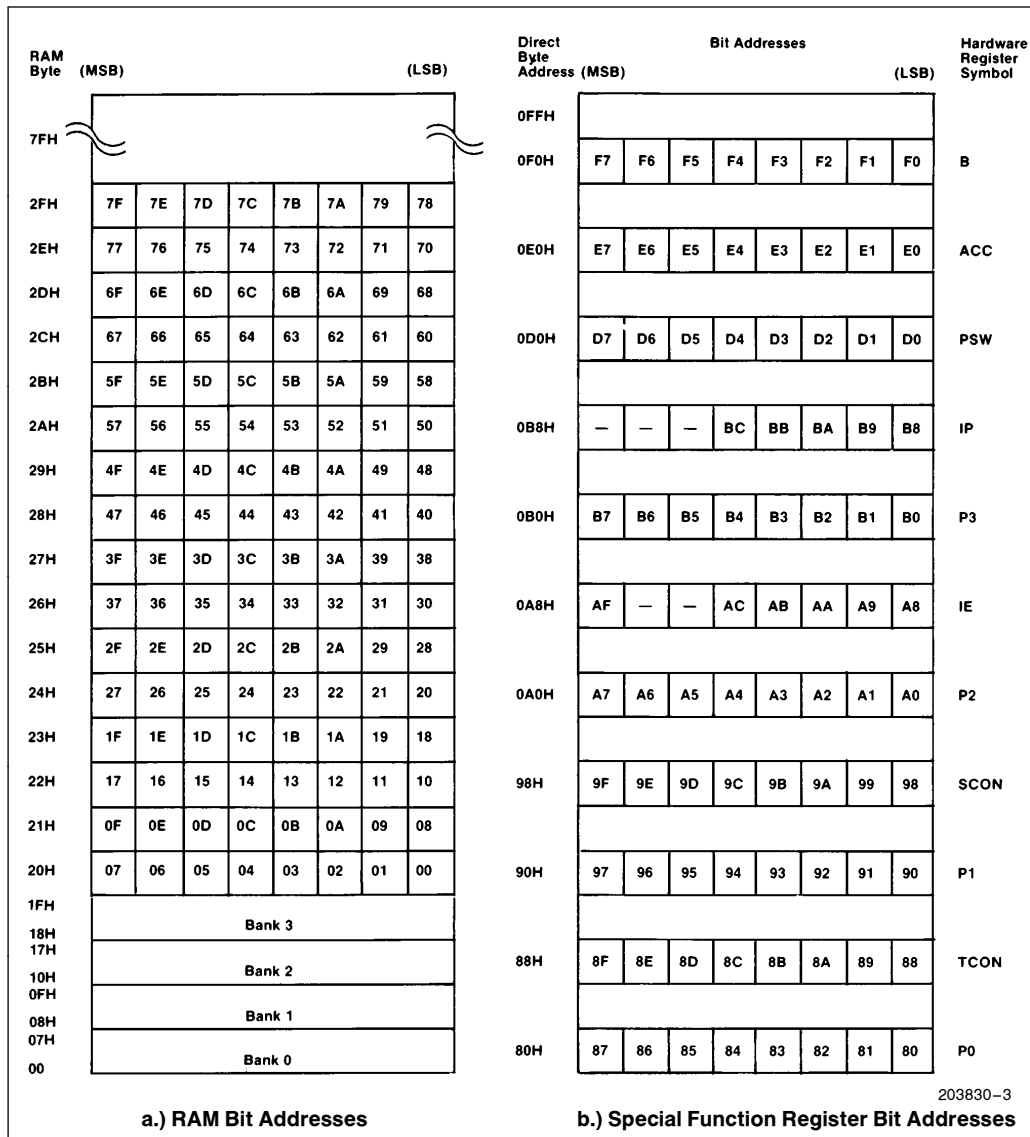


Figure 4. Bit Address Maps

Data Memory. The instructions in Figure 3b can operate directly upon 144 general purpose bits forming the Boolean processor “RAM.” These bits can be used as software flags or to store program variables. Two operand instructions use the CPU’s carry flag (“C”) as a special one-bit register: in a sense, the carry is a “Boolean accumulator” for logical operations and data transfers.

Input/Output. All 32 I/O pins can be addressed as individual inputs, outputs, or both, in any combination. Any pin can be a control strobe output, status (Test) input, or serial I/O link implemented via software. An additional 33 individually addressable bits reconfigure, control, and monitor the status of the CPU and all on-chip peripheral functions (timer counters, serial port modes, interrupt logic, and so forth).

(MSB)				(LSB)							
CY	AC	F0	RS1	RS0	OV	—	P				
Symbol Position Name and Significance											
CY	PSW.7	Carry flag. Set/cleared by hardware or software during certain arithmetic and logical instructions.				—		PSW.2	Overflow flag. Set/cleared by hardware during arithmetic instructions to indicate overflow conditions.		
AC	PSW.6	Auxiliary Carry flag. Set/cleared by hardware during addition or subtraction instructions to indicate carry or borrow out of bit 3.				P		PSW.1	(reserved)		
F0	PSW.5	Flag 0. Set/cleared/tested by software as a user-defined status flag.						PSW.0	Parity flag. Set/cleared by hardware each instruction cycle to indicate an odd/even number of “one” bits in the accumulator, i.e., even parity.		
RS1	PSW.4	Register bank Select control bits.						Note- the contents of (RS1, RS0) enable the working register banks as follows:			
RS0	PSW.3	1 & 0. Set/cleared by software to determine working register bank (see Note).						(0,0)	- Bank 0	(00H–07H)	
							(0,1)	- Bank 1	(08H–0FH)		
							(1,0)	- Bank 2	(10H–17H)		
							(1,1)	- Bank 3	(18H–1FH)		

Figure 5. PSW—Program Status Word Organization

(MSB)							(LSB)					
RD	WR	T1	T0	INT1	INT0	TXD	RXD					
Symbol Position Name and Significance												
RD	P3.7	Read data control output. Active low pulse generated by hardware when external data memory is read.				INT1	P3.3	Interrupt 1 input pin. Low-level or falling-edge triggered.				
WR	P3.6	Write data control output. Active low pulse generated by hardware when external data memory is written.				INT0	P3.2	Interrupt 0 input pin. Low-level or falling-edge triggered.				
T1	P3.5	Timer/counter 1 external input or test pin.				TXD	P3.1	Transmit Data pin for serial port in UART mode. Clock output in shift register mode.				
T0	P3.4	Timer/counter 0 external input or test pin.				RXD	P3.0	Receive Data pin for serial port in UART mode. Data I/O pin in shift register mode.				

Figure 6. P3—Alternate I/O Functions of Port 3

Direct Bit Addressing

The most significant bit of the direct address byte selects one of two groups of bits. Values between 0 and 127 (00H and 7FH) define bits in a block of 32 bytes of on-chip RAM, between RAM addresses 20H and 2FH (Figure 4a). They are numbered consecutively from the lowest-order byte's lowest-order bit through the highest-order byte's highest-order bit.

Bit addresses between 128 and 255 (80H and 0FFH) correspond to bits in a number of special registers, mostly used for I/O or peripheral control. These positions are numbered with a different scheme than RAM: the five high-order address bits match those of the register's own address, while the three low-order bits identify the bit position within that register (Figure 4b).



Notice the column labeled "Symbol" in Figure 5. Bits with special meanings in the PSW and other registers have corresponding symbolic names. General-purpose (as opposed to carry-specific) instructions may access the carry like any other bit by using the mnemonic CY in place of C, P0, P1, P2, and P3 are the 8051's four I/O ports: secondary functions assigned to each of the eight pins of P3 are shown in Figure 6.

Figure 7 shows the last four bit addressable registers. TCON (Timer Control) and SCON (Serial port Control) control and monitor the corresponding peripherals, while IE (Interrupt Enable) and IP (Interrupt Priority) enable and prioritize the five hardware interrupt sources. Like the reserved hardware register addresses,

the five bits not implemented in IE and IP should not be accessed: they can *not* be used as software flags.

Addressable Register Set. There are 20 special function registers in the 8051, but the advantages of bit addressing only relate to the 11 described below. Five potentially bit-addressable register addresses (0C0H, 0C8H, 0D8H, 0E8H, & 0F8H) are being reserved for possible future expansion in microcomputers based on the MCS-51 architecture. Reading or writing non-existent registers in the 8051 series is pointless, and may cause unpredictable results. Byte-wide logical operations can be used to manipulate bits in all *non-bit* addressable registers and RAM.



(MSB)								(LSB)	
TF1	TR1	TF0	TR0	IE1	IT1	IE0	IT0		
Symbol Position Name and Significance									
TF1	TCON.7	Timer 1 overflow Flag. Set by hardware on timer/counter overflow. Cleared when interrupt processed.			IT1	TCON.2	Interrupt 1 Type control bit. Set/cleared by software to specify falling edge/low level triggered external interrupts.		
TR1	TCON.6	Timer 1 Run control bit. Set/cleared by software to turn timer/counter on/off.			IE0	TCON.1	Interrupt 0 Edge flag. Set by hardware when external interrupt edge detected. Cleared when interrupt processed.		
TF0	TCON.5	Timer 0 overflow Flag. Set by hardware on timer/counter overflow. Cleared when interrupt processed.			IT0	TCON.0	Interrupt 0 Type control bit. Set/cleared by software to specify falling edge/low level triggered external interrupts.		
TR0	TCON.4	Timer 0 Run control bit. Set/cleared by software to turn timer/counter on/off.							
a.) TCON—Timer/Counter Control/Status Register									
(MSB)								(LSB)	
SM0	SM1	SM2	REN	TB8	RB8	TI	RI		
Symbol Position Name and Significance									
SM0	SCON.7	Serial port Mode control bit 0. Set/cleared by software (see note).			TI	SCON.1	Transmit Interrupt flag. Set by hardware when byte transmitted. Cleared by software after servicing.		
SM1	SCON.6	Serial port Mode control bit 1. Set/cleared by software (see note).			RI	SCON.0	Receive Interrupt flag. Set by hardware when byte received. Cleared by software after servicing.		
SM2	SCON.5	Serial port Mode control bit 2. Set by software to disable reception of frames for which bit 8 is zero.					Note- the state of (SM0, SM1) selects: (0,0)—Shift register I/O expansion. (0,1)—8-bit UART, variable data rate. (1,0)—9-bit UART, fixed data rate. (1,1)—9-bit UART, variable data rate.		
REN	SCON.4	Receiver Enable control bit. Set/cleared by software to enable/disable serial data reception.							
TB8	SCON.3	Transmit Bit 8. Set/cleared by hardware to determine state of ninth data bit transmitted in 9-bit UART mode.							
b.) SCON—Serial Port Control/Status Register									

Figure 7. Peripheral Configuration Registers

(MSB)				(LSB)				
EA	—	—	ES	ET1	EX1	ET1	EX0	
Symbol Position Name and Significance								
EA	IE.7	Enable All control bit. Cleared by software to disable all interrupts, independent of the state of IE.4–IE.0.				EX1	IE.2	Enable External interrupt 1 control bit. Set/cleared by software to enable/disable interrupts from INT1.
—	IE.6	(reserved)				ET0	IE.1	Enable Timer 0 control bit. Set/cleared by software to enable/disable interrupts from timer/counter 0.
—	IE.5							
ES	IE.4	Enable Serial port control bit. Set/cleared by software to enable/disable interrupts from TI or RI flags.				EX0	IE.0	Enable External interrupt 0 control bit. Set/cleared by software to enable/disable interrupts from INTO.
ET1	IE.3	Enable Timer 1 control bit. Set/cleared by software to enable/disable interrupts from timer/counter 1.						
c.) IE—Interrupt Enable Register								
(MSB)				(LSB)				
—	—	—	PS	PT1	PX1	PT0	PX0	
Symbol Position Name and Significance								
—	IP.7	(reserved)				PX1	IP.2	External interrupt 1 Priority control bit. Set/cleared by software to specify high/low priority interrupts for INT1.
—	IP.6	(reserved)						
—	IP.5	(reserved)				PT0	IP.1	Timer 0 Priority control bit. Set/cleared by software to specify high/low priority interrupts for timer/counter 0.
PS	IP.4	Serial port Priority control bit. Set/cleared by software to specify high/low priority interrupts for Serial port.				PX0	IP.0	External interrupt 0 Priority control bit. Set/cleared by software to specify high/low priority interrupts for INTO.
PT1	IP.3	Timer 1 Priority control bit. Set/cleared by software to specify high/low priority interrupts for timer/counter 1.						
d.) IP—Interrupt Priority Control Register								

Figure 7. Peripheral Configuration Registers (Continued)

The accumulator and B registers (A and B) are normally involved in byte-wide arithmetic, but their individual bits can also be used as 16 general software flags. Added with the 128 flags in RAM, this gives 144 general purpose variables for bit-intensive programs. The program status word (PSW) in Figure 5 is a collection of flags and machine status bits including the carry flag itself. Byte operations acting on the PSW can therefore affect the carry.

Instruction Set

Having looked at the bit variables available to the Boolean Processor, we will now look at the four classes of

instructions that manipulate these bits. It may be helpful to refer back to Table 2 while reading this section.

State Control. Addressable bits or flags may be set, cleared, or logically complemented in one instruction cycle with the two-byte instructions SETB, CLR, and CPL. (The “B” affixed to SETB distinguishes it from the assembler “SET” directive used for symbol definition.) SETB and CLR are analogous to loading a bit with a constant: 1 or 0. Single byte versions perform the same three operations on the carry.

The MCS-51 assembly language specifies a bit address in any of three ways:

- by a number or expression corresponding to the direct bit address (0–255):

- by the name or address of the register containing the bit, the *dot operator* symbol (a period: "."), and the bit's position in the register (7-0):
- in the case of control and status registers, by the predefined assembler symbols listed in the first columns of Figures 5-7.

Bits may also be given user-defined names with the assembler "BIT" directive and any of the above techniques. For example, bit 5 of the PSW may be cleared by any of the four instructions.

```

USR_FLG BIT PSW.5 ; User Symbol Definition
...
CLR OD5H ; Absolute Addressing
CLR PSW.5 ; Use of Dot Operator
CLR FO ; Pre-Defined Assembler
; Symbol
CLR USR_FLG ; User-Defined Symbol
    
```

Data Transfers. The two-byte MOV instructions can transport any addressable bit to the carry in one cycle, or copy the carry to the bit in two cycles. A bit can be moved between two arbitrary locations via the carry by combining the two instructions. (If necessary, push and pop the PSW to preserve the previous contents of the carry.) These instructions can replace the multi-instruction sequence of Figure 8, a program structure appearing in controller applications whenever flags or outputs are conditionally switched on or off.

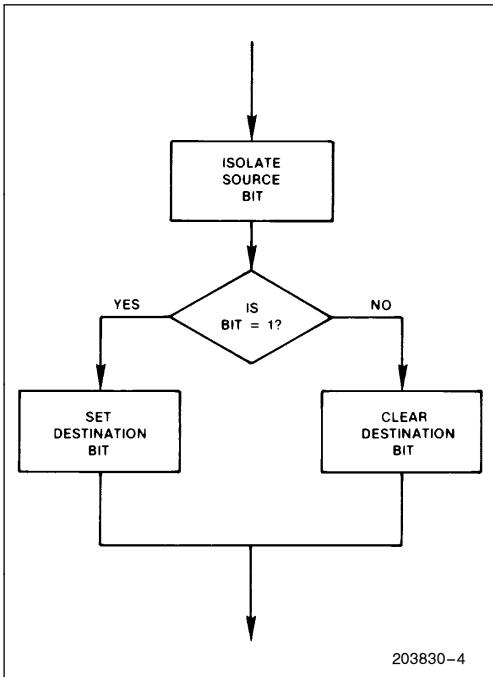


Figure 8. Bit Transfer Instruction Operation

Logical Operations. Four instructions perform the logical-AND and logical-OR operations between the carry and another bit, and leave the results in the carry. The instruction mnemonics are ANL and ORL; the absence or presence of a slash mark ("/") before the source operand indicates whether to use the positive-logic value or the logical complement of the addressed bit. (The source operand itself is never affected.)

Bit-test Instructions. The conditional jump instructions "JC rel" (Jump on Carry) and "JNC rel" (Jump on Not Carry) test the state of the carry flag, branching if it is a one or zero, respectively. (The letters "rel" denote relative code addressing.) The three-byte instructions "JB bit.rel" and "JNB bit.rel" (Jump on Bit and Jump on Not Bit) test the state of any addressable bit in a similar manner. A fifth instruction combines the Jump on Bit and Clear operations. "JBC bit.rel" conditionally branches to the indicated address, then clears the bit in the same two cycle instruction. This operation is the same as the MCS-48 "JTF" instructions.

All 8051 conditional jump instructions use program counter-relative addressing, and all execute in two cycles. The last instruction byte encodes a signed displacement ranging from -128 to +127. During execution, the CPU adds this value to the incremented program counter to produce the jump destination. Put another way, a conditional jump to the immediately following instruction would encode 00H in the offset byte.

A section of program or subroutine written using only relative jumps to nearby addresses will have the same machine code independent of the code's location. An assembled routine may be repositioned anywhere in memory, even crossing memory page boundaries, without having to modify the program or recompute destination addresses. To facilitate this flexibility, there is an unconditional "Short Jump" (SJMP) which uses relative addressing as well. Since a programmer would have quite a chore trying to compute relative offset values from one instruction to another, ASM51 automatically computes the displacement needed given only the destination address or label. An error message will alert the programmer if the destination is "out of range."

The so-called "Bit Test" instructions implemented on many other microprocessors simply perform the logical-AND operation between a byte variable and a constant mask, and set or clear a zero flag depending on the result. This is essentially equivalent to the 8051 "MOV C.bit" instruction. A second instruction is then needed to conditionally branch based on the state of the zero flag. This does not constitute abstract bit-addressing in the MCS-51 sense. A flag exists only as a field

within a register: to reference a bit the programmer must know and specify both the encompassing register and the bit's position therein. This constraint severely limits the flexibility of symbolic bit addressing and reduces the machine's code-efficiency and speed.

Interaction with Other Instructions. The carry flag is also affected by the instructions listed in Table 3. It can be rotated through the accumulator, and altered as a side effect of arithmetic instructions. Refer to the User's Manual for details on how these instructions operate.

Simple Instruction Combinations

By combining general purpose bit operations with certain addressable bits, one can "custom build" several hundred useful instructions. All eight bits of the PSW can be tested directly with conditional jump instructions to monitor (among other things) parity and overflow status. Programmers can take advantage of 128 software flags to keep track of operating modes, resource usage, and so forth.

The Boolean instructions are also the most efficient way to control or reconfigure peripheral and I/O registers. All 32 I/O lines become "test pins," for example, tested by conditional jump instructions. Any output pin can be toggled (complemented) in a single instruction cycle. Setting or clearing the Timer Run flags (TR0 and TR1) turn the timer/counters on or off; polling the same flags elsewhere lets the program determine if a timer is running. The respective overflow flags (TF0 and TF1) can be tested to determine when the desired period or count has elapsed, then cleared in preparation for the next repetition. (For the record, these bits are all part of the TCON register, Figure 7a. Thanks to symbolic bit addressing, the programmer only needs to remember the mnemonic associated with each function. In other words, don't bother memorizing control word layouts.)

In the MCS-48 family, instructions corresponding to some of the above functions require specific opcodes. Ten different opcodes serve to clear/complement the software flags F0 and F1, enable/disable each interrupt, and start/stop the timer. In the 8051 instruction set, just three opcodes (SETB, CLR, CPL) with a direct bit address appended perform the same functions. Two test instructions (JB and JNB) can be combined with bit addresses to test the software flags, the 8048 I/O pins T0, T1, and INT, and the eight accumulator bits, replacing 15 more different instructions.

Table 4a shows how 8051 programs implement software flag and machine control functions associated with special opcodes in the 8048. In every case the MCS-51 solution requires the same number of machine cycles, and executes 2.5 times faster.

Table 3. Other Instructions Affecting the Carry Flag

Mnemonic	Description	Byte	Cyc
ADD A,Rn	Add register to Accumulator	1	1
ADD A,direct	Add direct byte to Accumulator	2	1
ADD A,@Ri	Add indirect RAM to Accumulator	1	1
ADD A,#data	Add immediate data to Accumulator	2	1
ADDC A,Rn	Add register to Accumulator with Carry flag	1	1
ADDC A,direct	Add direct byte to Accumulator with Carry flag	2	1
ADDC A,@Ri	Add indirect RAM to Accumulator with Carry flag	1	1
ADDC A,#data	Add immediate data to Acc with Carry flag	2	1
SUBB A,Rn	Subtract register from Accumulator with borrow	1	1
SUBB A,direct	Subtract direct byte from Acc with borrow	2	1
SUBB A,@Ri	Subtract indirect RAM from Acc with borrow	1	1
SUBB A,#data	Subtract immediate data from Acc with borrow	2	1
MUL AB	Multiply A & B	1	4
DIV AB	Divide A by B	1	4
DA A	Decimal Adjust Accumulator	1	1
RLC A	Rotate Accumulator Left through the Carry flag	1	1
RRC A	Rotate Accumulator Right through Carry flag	1	1
CJNE A,direct.rel	Compare direct byte to Acc & Jump if Not Equal	3	2
CJNE A,#data.rel	Compare immediate to Acc & Jump if Not Equal	3	2
CJNE Rn,#data.rel	Compare immed to register & Jump if Not Equal	3	2
CJNE @Ri,#data.rel	Compare immed to indirect & Jump if Not Equal	3	2

All mnemonics copyrighted © Intel Corporation 1980.

Table 4a. Contrasting 8048 and 8051 Bit Control and Testing Instructions

8048					8x51		
Instruction		Bytes	Cycles	μ Sec	Instruction	Bytes	Cycles & μ Sec
Flag Control							
CLR	C	1	1	2.5	CLR	C	1
CPL	F0	1	1	2.5	CPL	F0	1
Flag Testing							
JNC	offset	2	2	5.0	JNC	rel	2
JF0	offset	2	2	5.0	JB	F0.rel	2
JB7	offset	2	2	5.0	JB	ACC.7.rel	2
Peripheral Polling							
JT0	offset	2	2	5.0	JB	T0.rel	2
JN1	offset	2	2	5.0	JNB	INT0.rel	2
JTF	offset	2	2	5.0	JBC	TF0.rel	2
Machine and Peripheral Control							
STRT	T	1	1	2.5	SETB	TR0	1
EN	1	1	1	2.5	SETB	EX0	1
DIS	TCNT1	1	1	2.5	CLR	ET0	1

Table 4b. Replacing 8048 Instruction Sequences with Single 8x51 Instructions

8048					8051		
Instruction		Bytes	Cycles	μ Sec	Instruction	Bytes	Cycles & μ Sec
Flag Control							
Set carry							
CLR	C	= 2	2	5.0	SETB	C	1
CPL	C						
Set Software Flag							
CLR	F0	= 2	2	5.0	SETB	F0	1
CPL	F0						
Turn Off Output Pin							
ANL	P1.#0FBH	= 2	2	5.0	CLR	P1.2	1
Complement Output Pin							
IN	A.P1	= 4	6	15.0	CPL	P1.2	1
XRL	A.#04H						
OUTL	P1.A						
Clear Flag in RAM							
MOV	R0.#FLGADR	= 6	6	15.0	CLR	USER_FLG	1
MOV	A.@R0						
ANL	A.#FLGMASK						
MOV	@R0.A						

Table 4b. Replacing 8048 Instruction Sequences with Single 8x51 Instructions (Continued)

8048 Instruction	Bytes	Cycles	μ Sec	8x51 Instruction	Bytes	Cycles & μ Sec
Flag Testing:						
Jump if Software Flag is 0						
JF0	\$+4			JNB	F0.rel	3 2
JMP	offset = 4	4	10.0			
Jump if Accumulator bit is 0						
CPL	A			JNB	ACC.7.rel	3 2
JB7	offset = 4	4	10.0			
CPL	A					
Peripheral Polling						
Test if Input Pin is Grounded						
IN	A.P1			JNB	P1.3.rel	3 2
CPL	A					
JB3	offset = 4	5	12.5			
Test if Interrupt Pin is High						
JN1	\$+4			JB	INT0.rel	3 2
JMP	offset = 4	4	10.0			

3.0 BOOLEAN PROCESSOR APPLICATIONS

So what? Then what does all this buy you?

Qualitatively, nothing. All the same capabilities *could* be (and often have been) implemented on other machines using awkward sequences of other basic operations. As mentioned earlier, any CPU can solve any problem given enough time.

Quantitatively, the differences between a solution allowed by the 8051 and those required by previous architectures are numerous. What the 8051 Family buys you is a faster, cleaner, lower-cost solution to micro-controller applications.

The opcode space freed by condensing many specific 8048 instructions into a few general operations has been used to add new functionality to the MCS-51 architecture—both for byte and bit operations. 144 software flags replace the 8048's two. These flags (and the carry) may be directly set, not just cleared and complemented, and all can be tested for either state, not just one. Operating mode bits previously inaccessible may be read, tested, or saved. Situations where the 8051 instruction set provides new capabilities are contrasted with 8048 instruction sequences in Table 4b. Here the 8051 speed advantage ranges from 5x to 15x!

Combining Boolean and byte-wide instructions can produce great synergy. An MCS-51 based application will prove to be:

- simpler to write since the architecture correlates more closely with the problems being solved;
- easier to debug because more individual instructions have no unexpected or undesirable side-effects;
- more byte efficient due to direct bit addressing and program counter relative branching;
- faster running because fewer bytes of instruction need to be fetched and fewer conditional jumps are processed;
- lower cost because of the high level of system-integration within one component.

These rather unabashed claims of excellence shall not go unsubstantiated. The rest of this chapter examines less trivial tasks simplified by the Boolean processor. The first three compare the 8051 with other micro-processors; the last two go into 8051-based system designs in much greater depth.

Design Example # 1—Bit Permutation

First off, we'll use the bit-transfer instructions to permute a lengthy pattern of bits.

A steadily increasing number of data communication products use encoding methods to protect the security of sensitive information. By law, interstate financial transactions involving the Federal banking system must be transmitted using the Federal Information Processing *Data Encryption Standard* (DES).

Basically, the DES combines eight bytes of “plaintext” data (in binary, ASCII, or any other format) with a 56-bit “key”, producing a 64-bit encrypted value for transmission. At the receiving end the same algorithm is applied to the incoming data using the same key, reproducing the original eight byte message. The algorithm used for these permutations is fixed; different user-defined keys ensure data privacy.

It is not the purpose of this note to describe the DES in any detail. Suffice it to say that encryption/decryption is a long, iterative process consisting of rotations, exclusive -OR operations, function table look-ups, and an extensive (and quite bizarre) sequence of bit permutation, packing, and unpacking steps. (For further details refer to the June 21, 1979 issue of *Electronics* magazine.) The bit manipulation steps are included, it is rumored, to impede a general purpose digital supercomputer trying to “break” the code. Any algorithm implementing the DES with previous generation microprocessors would spend virtually all of its time diddling bits.

The bit manipulation performed is typified by the Key Schedule Calculation represented in Figure 9. This step is repeated 16 times for each key used in the course of a transmission. In essence, a seven-byte, 56-bit “Shifted Key Buffer” is transformed into an eight-byte, “Permutation Buffer” without altering the shifted Key. The arrows in Figure 9 indicate a few of the translation steps. Only six bits of each byte of the Permutation Buffer are used; the two high-order bits of each byte are cleared. This means only 48 of the 56 Shifted Key Buffer bits are used in any one iteration.

Different microprocessor architectures would best implement this type of permutation in different ways. Most approaches would share the steps of Figure 10a:

- Initialize the Permutation Buffer to default state (ones or zeroes):
- Isolate the state of a bit of a byte from the Key Buffer. Depending on the CPU, this might be accomplished by rotating a word of the Key Buffer through a carry flag or testing a bit in memory or an accumulator against a mask byte:
- Perform a conditional jump based on the carry or zero flag if the Permutation Buffer default state is correct:
- Otherwise reverse the corresponding bit in the permutation buffer with logical operations and mask bytes.

Each step above may require several instructions. The last three steps must be repeated for all 48 bits. Most microprocessors would spend 300 to 3,000 microseconds on each of the 16 iterations.

Notice, though, that this flow chart looks a lot like Figure 8. The Boolean Processor can permute bits by simply moving them from the source to the carry to the destination—a total of two instructions taking four bytes and three microseconds per bit. Assume the Shifted Key Buffer and Permutation Buffer both reside in bit-addressable RAM, with the bits of the former assigned symbolic names SKB_1, SKB_2, . . . SKB_56, and that the bytes of the latter are named PB_1, . . . PB_8. Then working from Figure 9, the software for the permutation algorithm would be that of Example 1a. The total routine length would be 192 bytes, requiring 144 microseconds.

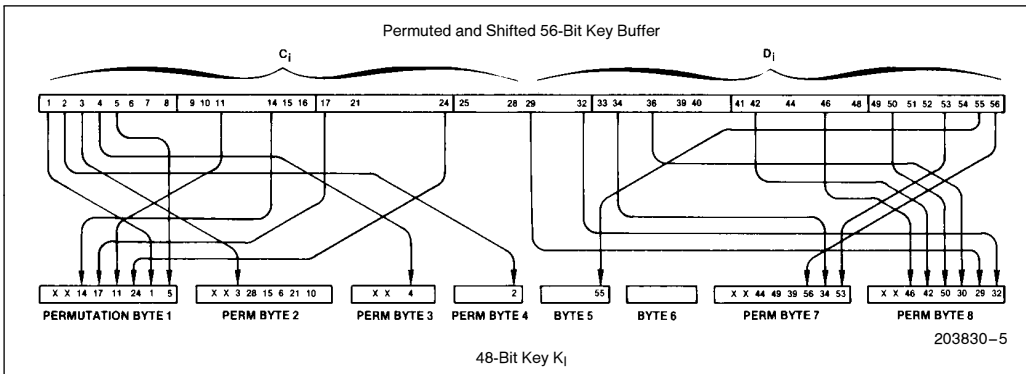


Figure 9. DES Key Schedule Transformation

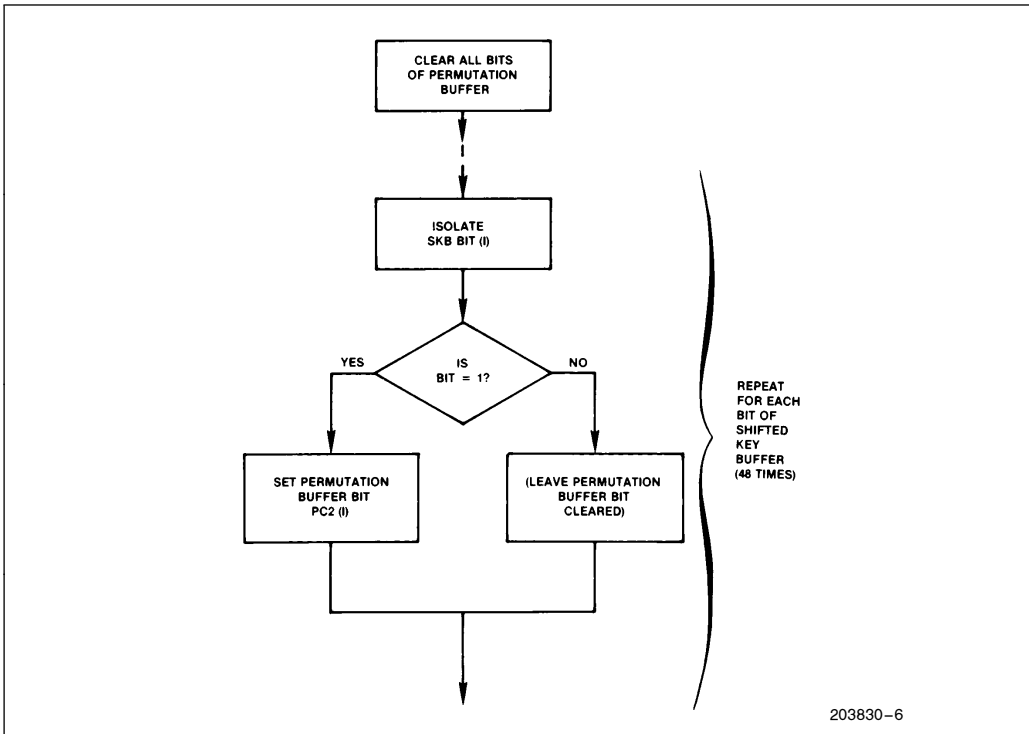


Figure 10a. Flowchart for Key Permutation Attempted with a Byte Processor



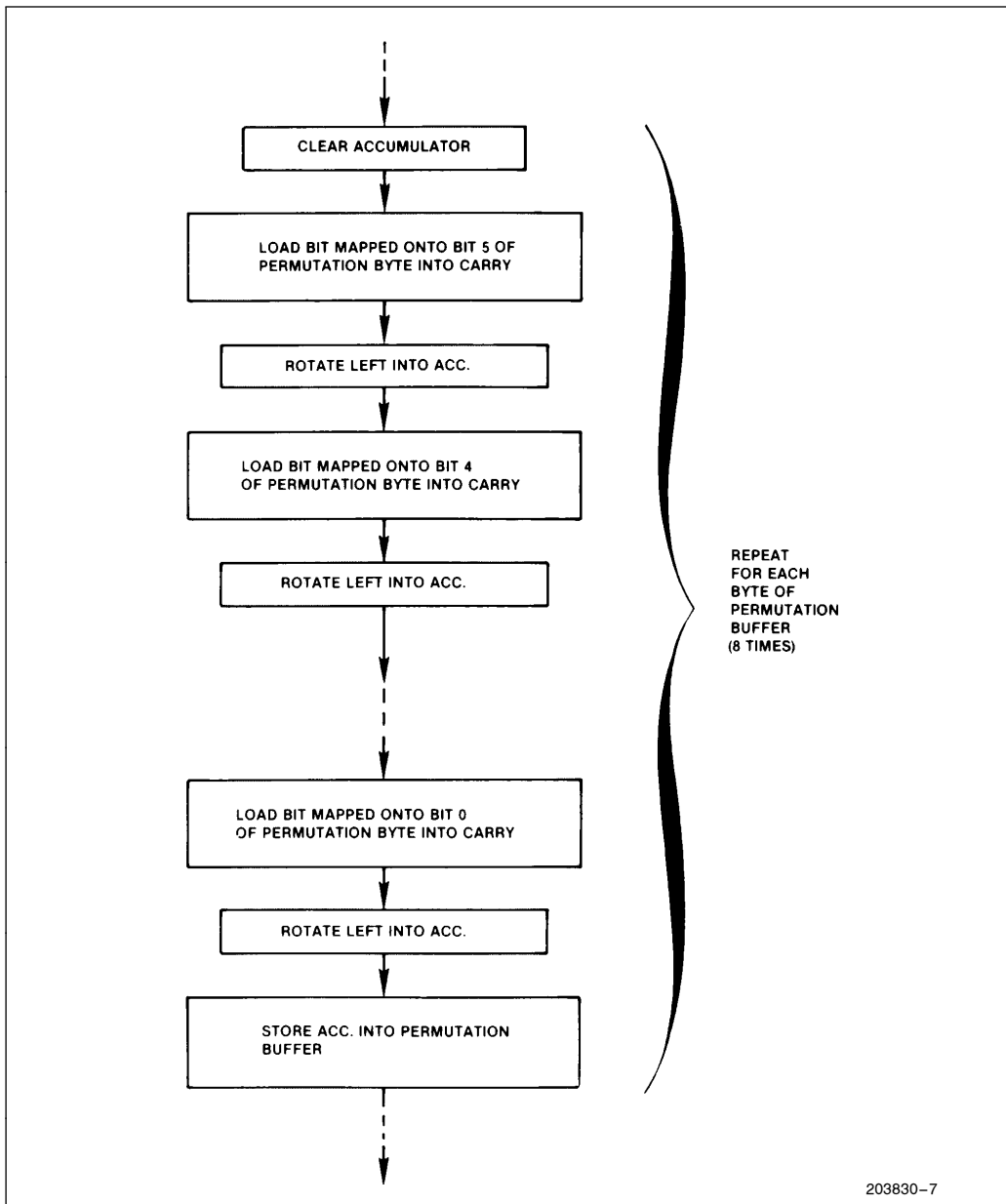


Figure 10b. DES Key Permutation with Boolean Processor



The algorithm of Figure 10b is just slightly more efficient in this time-critical application and illustrates the synergy of an integrated byte and bit processor. The bits needed for each byte of the Permutation Buffer are assimilated by loading each bit into the carry (1 μ s.) and shifting it into the accumulator (1 μ s.). Each byte is stored in RAM when completed. Forty-eight bits thus need a total of 112 instructions, some of which are listed in Example 1b.

Worst-case execution time would be 112 microseconds, since each instruction takes a single cycle. Routine length would also decrease, to 168 bytes. (Actually, in the context of the complete encryption algorithm, each permuted byte would be processed as soon as it is assimilated—saving memory and cutting execution time by another 8 μ s.)

To date, most banking terminals and other systems using the DES have needed special boards or peripheral controller chips just for the encryption/decryption process, and still more hardware to form a serial bit stream for transmission (Figure 11a). An 8051 solution could pack most of the entire system onto the one chip (Figure 11b). The whole DES algorithm would require less than one-fourth of the on-chip program memory, with the remaining bytes free for operating the banking terminal (or whatever) itself.

Moreover, since transmission and reception of data is performed through the on-board UART, the unencrypted data (plaintext) never even exists outside the microcomputer! Naturally, this would afford a high degree of security from data interception.

Example 1. DES Key Permutation Software.

a.) "Brute Force" technique

```

MOV    C,SKB_1
MOV    PB_1.1,C
MOV    C,SKB_2
MOV    PB_4.0,C
MOV    C,SKB_3
MOV    PB_2.5,C
MOV    C,SKB_4
MOV    PB_1.0,C
...
...
MOV    C,SKB_55
MOV    PB_5.0,C
MOV    C,SKB_56
MOV    PB_7.2,C

```

b.) Using Accumulator to Collect Bits

```

CLR    A
MOV    C,SKB_14
RLC    A
MOV    C,SKB_17
RLC    A
MOV    C,SKB_11
RLC    A
MOV    C,SKB_24
RLC    A
MOV    C,SKB_1
RLC    A
MOV    C,SKB_5
RLC    A
MOV    PB_1,A
...
...
MOV    C,SKB_29
RLC    A
MOV    C,SKB_32
RLC    A
MOV    PB_8,A

```

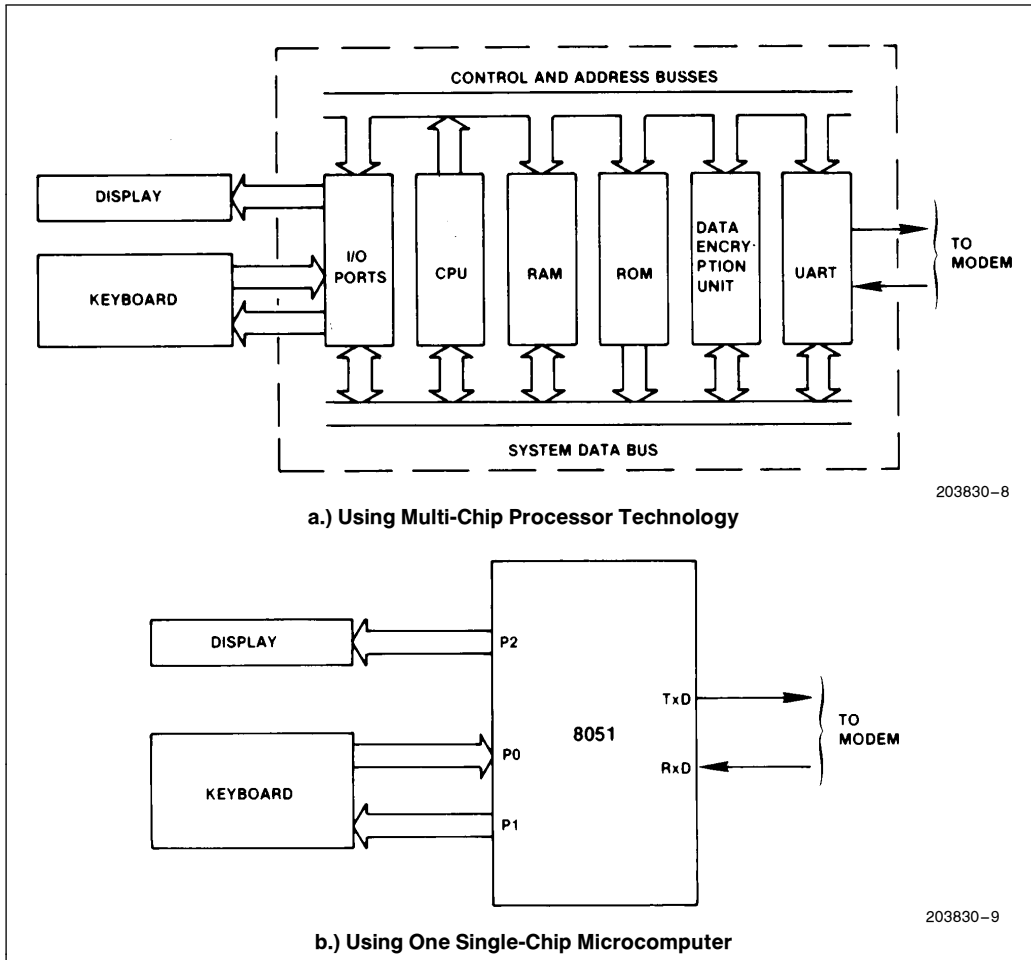


Figure 11. Secure Banking Terminal Block Diagram

Design Example #2—Software Serial I/O

An exercise often imposed on beginning microcomputer students is to write a program simulating a UART. Though doing this with the 8051 Family may appear to be a moot point (given that the hardware for a full UART is on-chip), it is still instructive to see how it would be done, and maintains a product line tradition.

As it turns out, the 8051 microcomputers can receive or transmit serial data via software very efficiently using the Boolean instruction set. Since any I/O pin may be a serial input or output, several serial links could be maintained at once.

Figures 12a and 12b show algorithms for receiving or transmitting a byte of data. (Another section of program would invoke this algorithm eight times, synchronizing it with a start bit, clock signal, software delay, or timer interrupt.) Data is received by testing an input pin, setting the carry to the same state, shifting the carry into a data buffer, and saving the partial frame in internal RAM. Data is transmitted by shifting an output buffer through the carry, and generating each bit on an output pin.

A side-by-side comparison of the software for this common “bit-banging” application with three different microprocessor architectures is shown in Table 5a and 5b. The 8051 solution is more efficient than the others on every count!

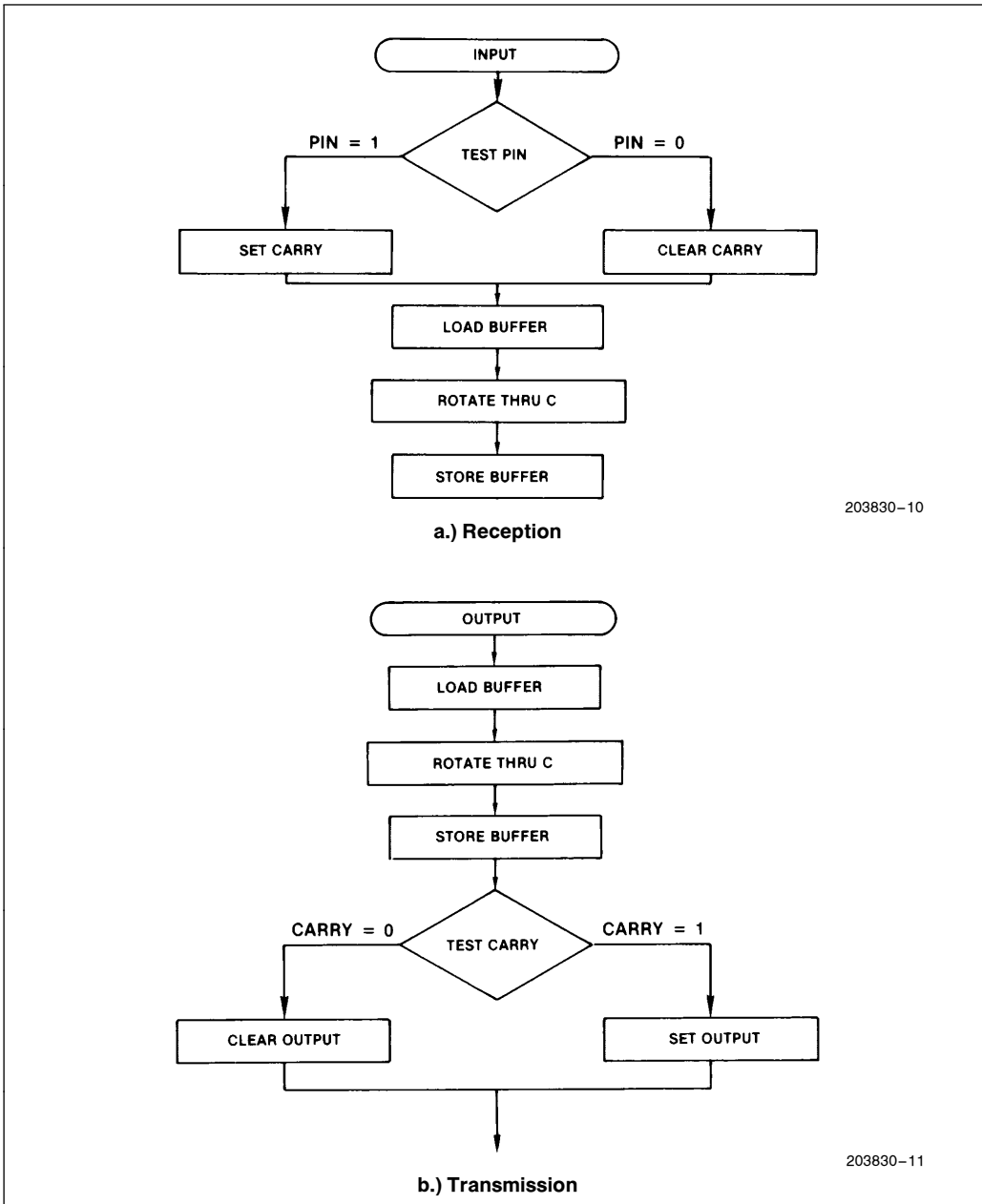


Figure 12. Serial I/O Algorithms



Table 5. Serial I/O Programs for Various Microprocessors

a.) Input Routine.		
8085	8048	8051
IN SERPORT	CLR C	MOV C,SERPIN
ANI MASK	JN10 LO	
JZ LO	CPL C	
CMC	MOV R0,#SERBUF	
I/O: LXI HL,SERBUF	MOV A,@R0	MOV A,SERBUF
MOV A,M	RRC A	RRC A
RR	MOV @R0,A	MOV SERBUF,A
MOV M,A		
RESULTS:		
8 INSTRUCTIONS	7 INSTRUCTIONS	4 INSTRUCTIONS
14 BYTES	9 BYTES	7 BYTES
56 STATES	9 CYCLES	4 CYCLES
19 uSEC.	22.5 uSEC.	4 uSEC.
b.) Output Routine.		
8085	8048	8051
LXI HL,SERBUF	MOV R0,#SERBUF	
MOV A,M	MOV A,@R0	MOV A,SERBUF
RR	RRC A	RRC A
MOV M,A	MOV @R0,A	MOV SERBUF,A
IN SERPORT		
JC HI	JC HI	
I/O: ANI NOT MASK	ANI SERPRT,#NOT MASK	MOV SERPIN,C
JMP CNT	JMP CNT	
HI: ORI MASK	HI: ORI SERPRT,#MASK	
CNT:OUT SERPORT	CNT:	
RESULTS:		
10 INSTRUCTIONS	8 INSTRUCTIONS	4 INSTRUCTIONS
20 BYTES	13 BYTES	7 BYTES
72 STATES	11 CYCLES	5 CYCLES
24 uSEC.	27.5 uSEC.	5 uSEC.

203830-30

Design Example # 3—Combinatorial Logic Equations

Next we'll look at some simple uses for bit-test instructions and logical operations. (This example is also presented in Application Note AP-69.)

Virtually all hardware designers have solved complex functions using combinatorial logic. While the hardware involved may vary from relay logic, vacuum tubes, or TTL or to more esoteric technologies like fluidics, in each case the goal is the same: to solve a problem represented by a logical function of several Boolean variables.

Figure 13 shows TTL and relay logic diagrams for a function of the six variables U through Z. Each is a solution of the equation.

$$Q = (U \cdot (V + W)) + (X \cdot \bar{Y}) + \bar{Z}$$

Equations of this sort might be reduced using Karnaugh Maps or algebraic techniques, but that is not the purpose of this example. As the logic complexity increases, so does the difficulty of the reduction process. Even a minor change to the function equations as the design evolves would require tedious re-reduction from scratch.

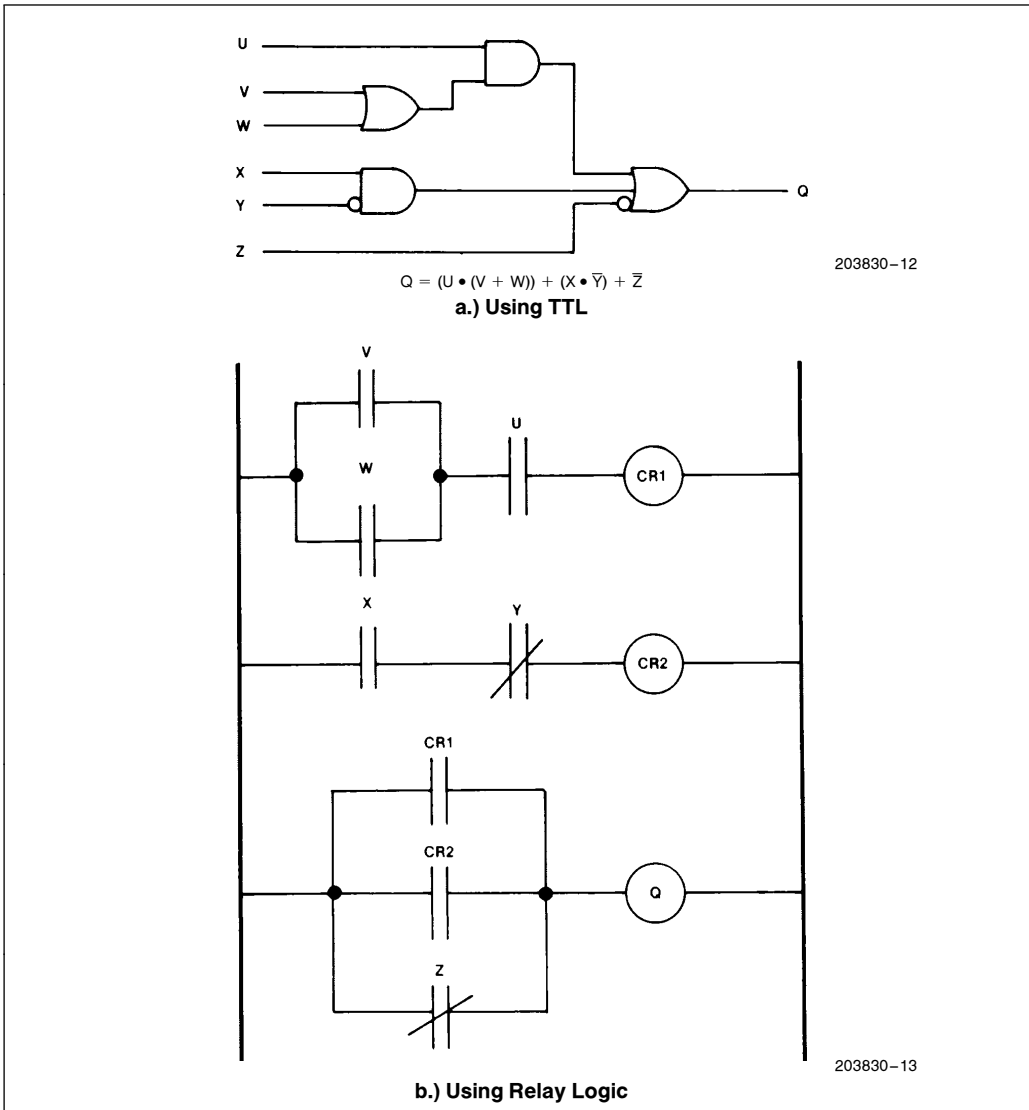


Figure 13. Hardware Implementations of Boolean Functions

For the sake of comparison we will implement this function three ways, restricting the software to three proper subsets of the MCS-51 instruction set. We will also assume that U and V are input pins from different input ports, W and X are status bits for two peripheral controllers, and Y and Z are software flags set up earlier in the program. The end result must be written

to an output pin on some third port. The first two implementations follow the flow-chart shown in Figure 14. Program flow would embark on a route down a test-and-branch tree and leaves either the “True” or “Not True” exit ASAP—as soon as the proper result has been determined. These exits then rewrite the output port with the result bit respectively one or zero.




```

TESTV:  MOV  A,P2
        ANL  A,#00000100B
        JNZ  TESTU
        MOV  A,TCON
        ANL  A,#00100000B
        JZ   TESTX
TESTU:  MOV  A,P1
        ANL  A,#00000010B
        JNZ  SETQ
TESTX:  MOV  A,TCON
        ANL  A,#00001000B
        JZ   TESTZ
        MOV  A,20H
        ANL  A,#00000001B
        JZ   SETQ
TESTZ:  MOV  A,21H
        ANL  A,#00000010B
        JZ   SETQ
CLRQ:   MOV  A,OUTBUF
        ANL  A,#11110111B
        JMP  OUTQ
SETQ:   MOV  A,OUTBUF
        ORL  A,#00001000B
OUTQ:   MOV  OUTBUF,A
        MOV  P3,A

```

b.) Using only bit-test instructions

```

:BFUNC2 SOLVE A RANDOM LOGIC
;       FUNCTION OF 6 VARIABLES
;       BY DIRECTLY POLLING EACH
;       BIT. (APPROACH USING
;       MCS-51 UNIQUE BIT-TEST
;       INSTRUCTION CAPABILITY.)
;       SYMBOLS USED IN LOGIC
;       DIAGRAM ASSIGNED TO
;       CORRESPONDING 8x51 BIT
;       ADDRESSES.
;
;
;

```

```

U       BIT   P1.1
V       BIT   P2.2
W       BIT   TFO
X       BIT   IE1
Y       BIT   20H.0
Z       BIT   21H.1
Q       BIT   P3.3
;       ...   ....
TEST_V: JB    V,TEST_U
        JNB   W,TEST_X
TEST_U: JB    U,SET_Q
TEST_X: JNB   X,TEST_Z
        JNB   Y,SET_Q
TEST_Z: JNB   Z,SET_Q
CLR_Q:  CLR   Q
        JMP  NXTTST
SET_Q:  SETB  Q
NXTTST:(CONTINUATION OF
        :PROGRAM)

```

c.) Using logical operations on Boolean variables

```

:FUNC3 SOLVE A RANDOM LOGIC
;       FUNCTION OF 6 VARIABLES
;       USING STRAIGHT_LINE
;       LOGICAL INSTRUCTIONS ON
;       MCS-51 BOOLEAN VARIABLES.
;
;
MOV C,V
ORL C,W ;OUTPUT OF OR GATE
ANL C,U ;OUTPUT OF TOP AND GATE
MOV FO,C ;SAVE INTERMEDIATE STATE
MOV C,X
ANL C,Y ;OUTPUT OF BOTTOM AND GATE
ORL C,FO ;INCLUDE VALUE SAVED ABOVE
ORL C,Z ;INCLUDE LAST INPUT
        ;VARIABLE
MOV Q,C ;OUTPUT COMPUTED RESULT

```

An upper-limit can be placed on the complexity of software to simulate a large number of gates by summing the total number of inputs and outputs. The *actual* total should be somewhat shorter, since calculations can be “chained,” as shown. The output of one gate is often the first input to another, bypassing the intermediate variable to eliminate two lines of source.

Design Example # 4—Automotive Dashboard Functions

Now let’s apply these techniques to designing the software for a complete controller system. This application is patterned after a familiar real-world application which isn’t nearly as trivial as it might first appear: automobile turn signals.

Imagine the three position turn lever on the steering column as a single-pole, triple-throw toggle switch. In its central position all contacts are open. In the up or down positions contacts close causing corresponding lights in the rear of the car to blink. So far very simple.

Two more turn signals blink in the front of the car, and two others in the dashboard. All six bulbs flash when an emergency switch is closed. A thermo-mechanical relay (accessible under the dashboard in case it wears out) causes the blinking.

Applying the brake pedal turns the tail light filaments on constantly . . . unless a turn is in progress, in which case the blinking tail light is not affected. (Of course, the front turn signals and dashboard indicators are not affected by the brake pedal.) Table 6 summarizes these operating modes.

Table 6. Truth Table for Turn-Signal Operation

Input Signals				Output Signals			
Brake Switch	Emerg. Switch	Left Turn Switch	Right Turn Switch	Left Front & Dash	Right Front & Dash	Left Rear	Right Rear
0	0	0	0	Off	Off	Off	Off
0	0	0	1	Off	Blink	Off	Blink
0	0	1	0	Blink	Off	Blink	Off
0	1	0	0	Blink	Blink	Blink	Blink
0	1	0	1	Blink	Blink	Blink	Blink
0	1	1	0	Blink	Blink	Blink	Blink
1	0	0	0	Off	Off	On	On
1	0	0	1	Off	Blink	On	Blink
1	0	1	0	Blink	Off	Blink	On
1	1	0	0	Blink	Blink	On	On
1	1	0	1	Blink	Blink	On	Blink
1	1	1	0	Blink	Blink	Blink	On



But we're not done yet. Each of the exterior turn signal (but not the dashboard) bulbs has a second, somewhat dimmer filament for the parking lights. Figure 15 shows TTL circuitry which could control all six bulbs. The signals labeled "High Freq." and "Low Freq." represent two square-wave inputs. Basically, when one of the turn switches is closed or the emergency switch is activated the low frequency signal (about 1 Hz) is gated through to the appropriate dashboard indicator(s) and turn signal(s). The rear signals are also activated when the brake pedal is depressed provided a turn is not being made in the same direction. When the parking light switch is closed the higher frequency oscillator is gated to each front and rear turn signal, sustaining a low-intensity background level. (This is to eliminate the need for additional parking light filaments.)

In most cars, the switching logic to generate these functions requires a number of multiple-throw contacts. As many as 18 conductors thread the steering column of some automobiles solely for turn-signal and emergency blinker functions. (The author discovered this recently to his astonishment and dismay when replacing the whole assembly because of one burned contact.)

A multiple-conductor wiring harness runs to each corner of the car, behind the dash, up the steering column, and down to the blinker relay below. Connectors at

each termination for each filament lead to extra cost and labor during construction, lower reliability and safety, and more costly repairs. And considering the system's present complexity, increasing its reliability or detecting failures would be quite difficult.

There are two reasons for going into such painful detail describing this example. First, to show that the messiest part of many system designs is determining what the controller should do. Writing the software to solve these functions will be comparatively easy. Secondly, to show the many potential failure points in the system. Later we'll see how the peripheral functions and intelligence built into a microcomputer (with a little creativity) can greatly reduce external interconnections and mechanical part count.

The Single-Chip Solution

The circuit shown in Figure 16 indicates five input pins to the five input variables—left-turn select, right-turn select, brake pedal down, emergency switch on, and parking lights on. Six output pins turn on the front, rear, and dashboard indicators for each side. The microcomputer implements all logical functions through software, which periodically updates the output signals as time elapses and input conditions change.

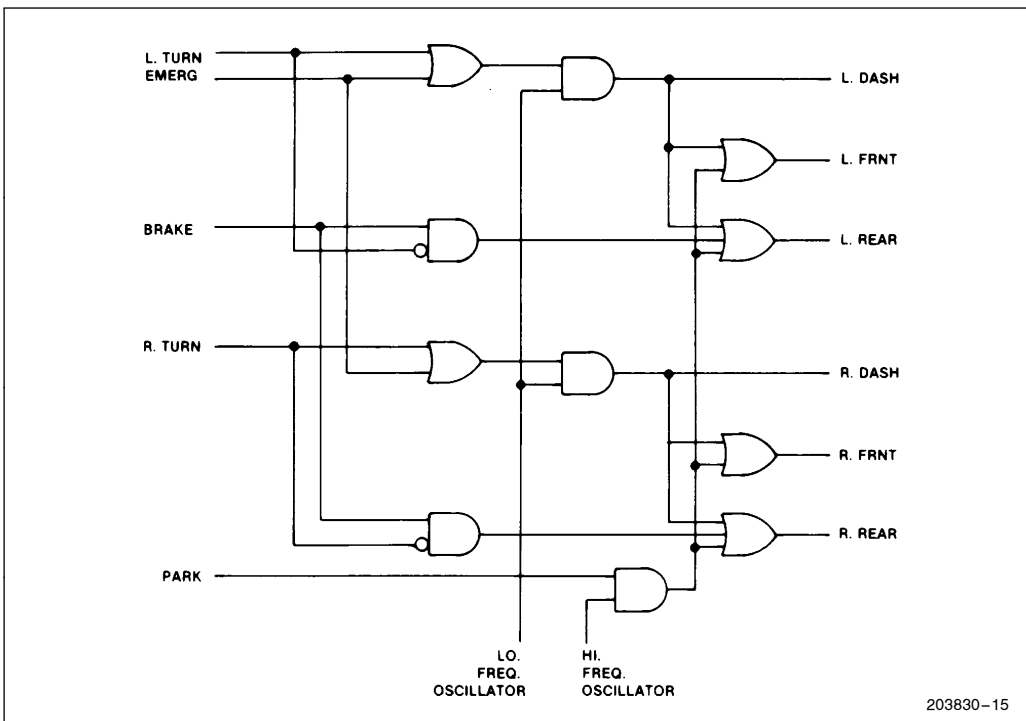


Figure 15. TTL Logic Implementation of Automotive Turn Signals

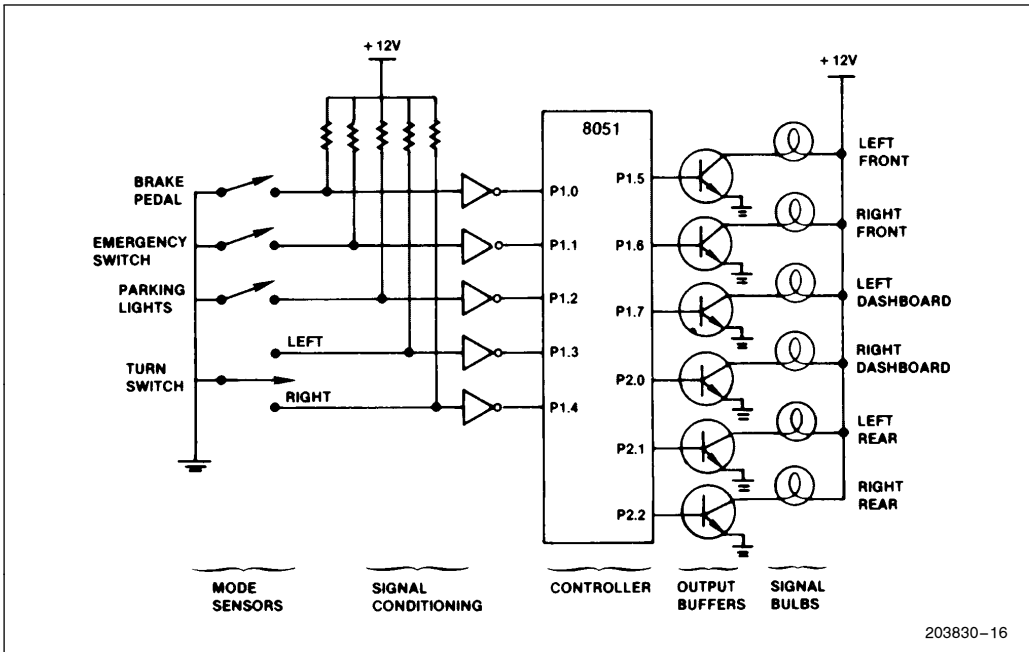


Figure 16. Microcomputer Turn-Signal Connections

Design Example #3 demonstrated that symbolic addressing with user-defined bit names makes code and documentation easier to write and maintain. Accordingly, we'll assign these I/O pins names for use throughout the program. (The format of this example will differ somewhat from the others. Segments of the overall program will be presented in sequence as each is described.)

```
R_DASH BIT P2.0 ;DASHBOARD RIGHT-
;TURN INDICATOR
I_REAR BIT P2.1 ;REAR LEFT-TURN
;INDICATOR
R_REAR BIT P2.2 ;REAR RIGHT-TURN
;INDICATOR
;
```

```
;
; INPUT PIN DECLARATIONS:
;(ALL INPUTS ARE POSITIVE-TRUE LOGIC)
;
BRAKE BIT P1.0 ;BRAKE PEDAL
;DEPRESSED
EMERG BIT P1.1 ;EMERGENCY BLINKER
;ACTIVATED
PARK BIT P1.2 ;PARKING LIGHTS ON
I_TURN BIT P1.3 ;TURN LEVER DOWN
R_TURN BIT P1.4 ;TURN LEVER UP
;
; OUTPUT PIN DECLARATIONS:
;
I_FRNT BIT P1.5 ;FRONT LEFT-TURN
;INDICATOR
R_FRNT BIT P1.6 ;FRONT RIGHT-TURN
;INDICATOR
I_DASH BIT P1.7 ;DASHBOARD LEFT-TURN
;INDICATOR
```

Another key advantage of symbolic addressing will appear further on in the design cycle. The locations of cable connectors, signal conditioning circuitry, voltage regulators, heat sinks, and the like all affect P.C. board layout. It's quite likely that the somewhat arbitrary pin assignment defined early in the software design cycle will prove to be less than optimum; rearranging the I/O pin assignment could well allow a more compact module, or eliminate costly jumpers on a single-sided board. (These considerations apply especially to automotive and other cost-sensitive applications needing single-chip controllers.) Since other architectures mask bytes or use "clever" algorithms to isolate bits by rotating them into the carry, re-routing an input signal (from bit 1 of port 1, for example, to bit 4 of port 3) could require extensive modifications throughout the software.

The Boolean Processor's direct bit addressing makes such changes absolutely trivial. The number of the port containing the pin is irrelevant, and masks and complex

program structures are not needed. Only the initial Boolean variable declarations need to be changed; ASM51 automatically adjusts all addresses and symbolic references to the reassigned variables. The user is assured that no additional debugging or software verification will be required.

```

;          ...          .....
;INTERRUPT RATE SUBDIVIDER
SUB_DIV DATA 20H
;HIGH-FREQUENCY OSCILLATOR BIT
HI_FREQ BIT SUB_DIV,0
;LOW-FREQUENCY OSCILLATOR BIT
LO_FREQ BIT SUB_DIV,7
;          ...
;          ORG 0000H
JMP INIT
;          ...          .....
;          ORG 100H
;PUT TIMER 0 IN MODE 1
INIT; MOV TMOD,#0000001B
;INITIALIZE TIMER REGISTERS
MOV TLO,#0
MOV TH0,#-16
;SUBDIVIDE INTERRUPT RATE BY 244
MOV SUB_DIV,#244
;ENABLE TIMER INTERRUPTS
SETB ETO
;GLOBALLY ENABLE ALL INTERRUPTS
SETB EA
;START TIMER
SETB TRO
;
;(CONTINUE WITH BACKGROUND PROGRAM)
;
;PUT TIMER 0 IN MODE 1
;INITIALIZE TIMER REGISTERS
;SUBDIVIDE INTERRUPT RATE BY 244
;ENABLE TIMER INTERRUPTS
;GLOBALLY ENABLE ALL INTERRUPTS
;START TIMER

```

Timer 0 (one of the two on-chip timer counters) replaces the thermo-mechanical blinker relay in the dashboard controller. During system initialization it is configured as a timer in mode 1 by setting the least significant bit of the timer mode register (TMOD). In this configuration the low-order byte (TLO) is incremented every machine cycle, overflowing and incrementing the high-order byte (TH0) every 256 μ s. Timer interrupt 0 is enabled so that a hardware interrupt will occur each time TH0 overflows.

An eight-bit variable in the bit-addressable RAM array will be needed to further subdivide the interrupts via software. The lowest-order bit of this counter toggles very fast to modulate the parking lights: bit 7 will be

“tuned” to approximately 1 Hz for the turn- and emergency-indicator blinking rate.

Loading TH0 with -16 will cause an interrupt after 4.096 ms. The interrupt service routine reloads the high-order byte of timer 0 for the next interval, saves the CPU registers likely to be affected on the stack, and then decrements SUB_DIV. Loading SUB_DIV with 244 initially and each time it decrements to zero will produce a 0.999 second period for the highest-order bit.

```

ORG 000BH ;TIMER 0 SERVICE VECTOR
MOV TH0,#-16
PUSH PSW
PUSH ACC
PUSH B
DJNZ SUB_DIV,TOSERV
MOV SUB_DIV,#244

```

The code to sample inputs, perform calculations, and update outputs—the real “meat” of the signal controller algorithm—may be performed either as part of the interrupt service routine or as part of a background program loop. The only concern is that it must be executed at least several dozen times per second to prevent parking light flickering. We will assume the former case, and insert the code into the timer 0 service routine.

First, notice from the logic diagram (Figure 15) that the subterm (PARK • H_FREQ), asserted when the parking lights are to be on dimly, figures into four of the six output functions. Accordingly, we will first compute that term and save it in a temporary location named “DIM”. The PSW contains two general purpose flags: F0, which corresponds to the 8048 flag of the same name, and PSW.1. Since the PSW has been saved and will be restored to its previous state after servicing the interrupt, we can use either bit for temporary storage.

```

DIM BIT PSW.1 ;DECLARE TEMP
;          ;STORAGE FLAG
; ... .....
MOV C,PARK ;GATE PARKING
;          ;LIGHT SWITCH
ANL HI_FREQ ;WITH HIGH
;          ;FREQUENCY
;          ;SIGNAL
MOV DIM,C ;AND SAVE IN
;          ;TEMP. VARIABLE

```

This simple three-line section of code illustrates a remarkable point. The software indicates in very abstract terms exactly what function is being performed, inde-

pendent of the hardware configuration. The fact that these three bits include an input pin, a bit within a program variable, and a software flag in the PSW is totally invisible to the programmer.

Now generate and output the dashboard left turn signal.

```

;
MOV C,L_TURN      ;SET CARRY IF
                  ;TURN
ORL C,EMERG       ;OR EMERGENCY
                  ;SELECTED
ANL C,LO_FREQ     ;GATE IN 1 HZ
                  ;SIGNAL
MOV I_DASH,C      ;AND OUTPUT TO
                  ;DASHBOARD
    
```

To generate the left front turn signal we only need to add the parking light function in F0. But notice that the function in the carry will also be needed for the rear signal. We can save effort later by saving its current state in F0.

```

;
MOV FO,C          ;SAVE FUNCTION
                  ;SO FAR
ORL C,DIM         ;ADD IN PARKING
                  ;LIGHT FUNCTION
MOV L_FRNT,C      ;AND OUTPUT TO
                  ;TURN SIGNAL
    
```

Finally, the rear left turn signal should also be on when the brake pedal is depressed, provided a left turn is not in progress.

```

MOV C,BRAKE      ;GATE BRAKE
                  ;PEDAL SWITCH
ANL C,L_TURN     ;WITH TURN
                  ;LEVER
ORL C,F0         ;INCLUDE TEMP.
                  ;VARIABLE FROM DASH
    
```

```

ORL C,DIM        ;AND PARKING
                  ;LIGHT FUNCTION
MOV L_REAR,C     ;AND OUTPUT TO
                  ;TURN SIGNAL
    
```

Now we have to go through a similar sequence for the right-hand equivalents to all the left-turn lights. This also gives us a chance to see how the code segments above look when combined.

```

MOV C,R_TURN     ;SET CARRY H-
                  ;TURN
ORL C,EMERG      ;OR EMERGENCY
                  ;SELECTED
ANL C,LO_FREQ    ;IF SO. GATE IN 1
                  ;HZ SIGNAL
MOV R_DASH.C     ;AND OUTPUT TO
                  ;DASHBOARD
MOV FO.C         ;SAVE FUNCTION
                  ;SO FAR
ORL C,DIM        ;ADD IN PARKING
                  ;LIGHT FUNCTION
MOV R_FRNT.C     ;AND OUTPUT TO
                  ;TURN SIGNAL
MOV C,BRAKE     ;GATE BRAKE
                  ;PEDAL SWITCH
ANL C,R_TURN    ;WITH TURN
                  ;LEVER
ORL C,F0         ;INCLUDE TEMP.
                  ;VARIABLE FROM
                  ;DASH
ORL C,DIM        ;AND PARKING
                  ;LIGHT FUNCTION
MOV R_REAR.C    ;AND OUTPUT TO
                  ;TURN SIGNAL
    
```

(The perceptive reader may notice that simply rearranging the steps could eliminate one instruction from each sequence.)

Now that all six bulbs are in the proper states, we can return from the interrupt routine, and the program is finished. This code essentially needs to reverse the status saving steps at the beginning of the interrupt.

Table 7. Non-Trivial Duty Cycles

Sub_Div Bits								Duty Cycles						
7	6	5	4	3	2	1	0	12.5%	25.0%	37.5%	50.0%	62.5%	75.0%	87.5%
X	X	X	X	X	0	0	0	Off	Off	Off	Off	Off	Off	Off
X	X	X	X	X	0	0	1	Off	Off	Off	Off	Off	Off	On
X	X	X	X	X	0	1	0	Off	Off	Off	Off	Off	On	On
X	X	X	X	X	0	1	1	Off	Off	Off	Off	On	On	On
X	X	X	X	X	1	0	0	Off	Off	On	On	On	On	On
X	X	X	X	X	1	0	1	Off	Off	On	On	On	On	On
X	X	X	X	X	1	1	0	Off	On	On	On	On	On	On
X	X	X	X	X	1	1	1	On	On	On	On	On	On	On

```

POP B           ;RESTORE CPU
                ;REGISTERS.
POP ACC
POP PSW
RETI
    
```

Program Refinements. The luminescence of an incandescent light bulb filament is generally non-linear: the 50% duty cycle of HI_FREQ may not produce the desired intensity. If the application requires, duty cycles of 25%, 75%, etc. are easily achieved by ANDING and ORING in additional low-order bits of SUB_DIV. For example, 30 H/ signals of seven different duty cycles could be produced by considering bits 2-0 as shown in Table 7. The only software change required would be to the code which sets-up variable DIM;

```

MOV C, SUB_DIV.1 ;START WITH 50
                ;PERCENT
ANL C, SUB_DIV.0 ;MASK DOWN TO 25
                ;PERCENT
ORL C, SUB_DIV.2 ;AND BUILD BACK TO
                ;62 PERCENT
MOV DIM, C
                ;DUTY CYCLE FOR
                ;PARKING LIGHTS.
    
```

Interconnections increase cost and decrease reliability. The simple buffered pin-per-function circuit in Figure 16 is insufficient when many outputs require higher-than-TTL drive levels. A lower-cost solution uses the 8051 serial port in the shift-register mode to augment I/O. In mode 0, writing a byte to the serial port data buffer (SBUF) causes the data to be output sequentially through the "RXD" pin while a burst of eight clock pulses is generated on the "TXD" pin. A shift register connected to these pins (Figure 17) will load the data byte as it is shifted out. A number of special peripheral

driver circuits combining shift-register inputs with high drive level outputs have been introduced recently.

Cascading multiple shift registers end-to-end will expand the number of outputs even further. The data rate in the I/O expansion mode is one megabaud, or 8 μ s. per byte. This is the mode which the serial port defaults to following a reset, so no initialization is required.

The software for this technique uses the B register as a "map" corresponding to the different output functions. The program manipulates these bits instead of the output pins. After all functions have been calculated the B register is shifted by the serial port to the shift-register driver. (While some outputs may glitch as data is shifted through them, at 1 Megabaud most people wouldn't notice. Some shift registers provide an "enable" bit to hold the output states while new data is being shifted in.)

This is where the earlier decision to address bits symbolically throughout the program is going to pay off. This major I/O restructuring is nearly as simple to implement as rearranging the input pins. Again, only the bit declarations need to be changed.

```

I_FRNT BIT B.0 ;FRONT LEFT-TURN
                ;INDICATOR
R_FRNT BIT B.1 ;FRONT RIGHT-TURN
                ;INDICATOR
I_DASH BIT B.2 ;DASHBOARD LEFT-TURN
                ;INDICATOR
R_DASH BIT B.3 ;DASHBOARD RIGHT-TURN
                ;INDICATOR
I_REAR BIT B.4 ;REAR LEFT-TURN
                ;INDICATOR
R_REAR BIT B.5 ;REAR RIGHT-TURN
                ;INDICATOR
    
```

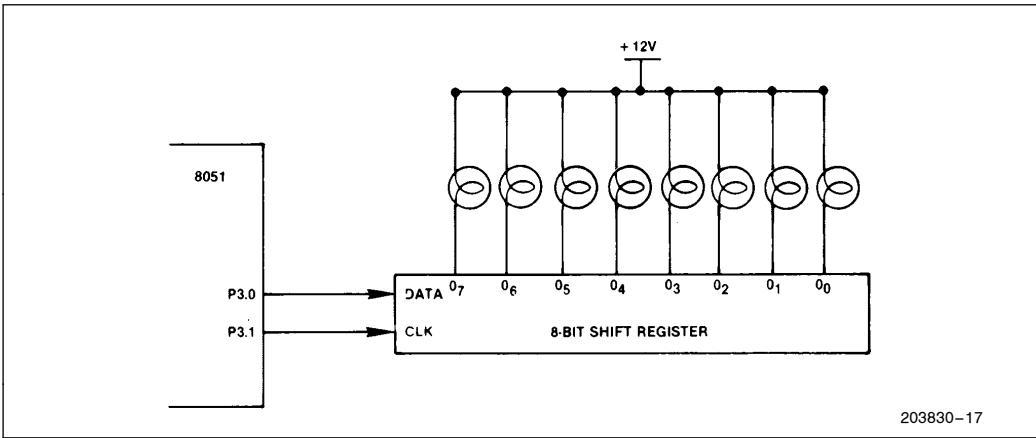


Figure 17. Output Expansion Using Serial Port

The original program to compute the functions need not change. After computing the output variables, the control map is transmitted to the buffered shift register through the serial port.

```
MOV SBUF,B ;LOAD BUFFER AND TRANSMIT
```

The Boolean Processor solution holds a number of advantages over older methods. Fewer switches are required. Each is simpler, requiring fewer poles and lower current contacts. The flasher relay is eliminated entirely. Only six filaments are driven, rather than 10. The wiring harness is therefore simpler and less expensive—one conductor for each of the six lamps and each of the five sensor switches. The fewer conductors use far fewer connectors. The whole system is more reliable.

And since the system is much simpler it would be feasible to implement redundancy and or fault detection on the four main turn indicators. Each could still be a

standard double filament bulb, but with the filaments driven in parallel to tolerate single-element failures.

Even with redundancy, the lights will eventually fail. To handle this inescapable fact current or voltage sensing circuits on each main drive wire can verify that each bulb and its high-current driver is functioning properly. Figure 18 shows one such circuit.

Assume all of the lights are turned on except one: i.e., all but one of the collectors are grounded. For the bulb which is turned off, if there is continuity from +12V through the bulb base and filament, the control wire, all connectors, and the P.C. board traces, and if the transistor is indeed not shorted to ground, then the collector will be pulled to +12V. This turns on the base of Q8 through the corresponding resistor, and grounds the input pin, verifying that the bulb circuit is operational. The continuity of each circuit can be checked by software in this way.

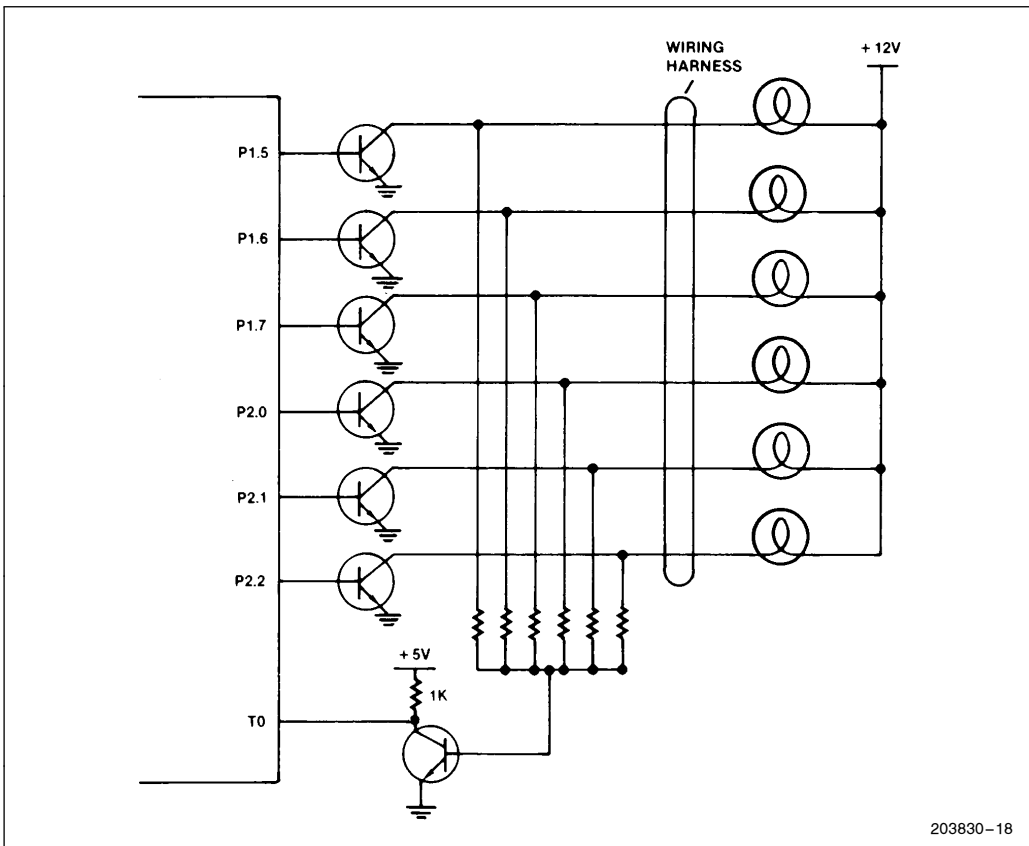


Figure 18

203830-18

Now turn *all* the bulbs on, grounding all the collectors. Q7 should be turned off, and the Test pin should be high. However, a control wire shorted to +12V or an open-circuited drive transistor would leave one of the collectors at the higher voltage even now. This too would turn on Q7, indicating a different type of failure. Software could perform these checks once per second by executing the routine every time the software counter SUB_DIV is reloaded by the interrupt routine.

```

DJNZ SUB_DIV,TOSERV
MOV SUB_DIV,#244      ;RELOAD COUNTER
ORL P1,#11100000B    ;SET CONTROL
                      ;OUTPUTS HIGH

ORL P2,#00000111B
CLR I_FRNT           ;FLOAT DRIVE
                      ;COLLECTOR
JB TO,FAULT         ;TO SHOULD BE
                      ;PULLED LOW
SETB L_FRNT          ;PULL COLLECTOR
                      ;BACK DOWN

      CLR L_DASH
      JB TO,FAULT
      SETB L_DASH
      CLR L_REAR
      JB TO,FAULT
      SETB L_REAR
      CLR R_FRNT
      JB TO,FAULT
      SETB R_FRNT
      CLR R_DASH
      JB TO,FAULT
      SETB R_DASH
      CLR R_REAR
      JB TO,FAULT
      SETB R_REAR
;
;WITH ALL COLLECTORS GROUNDED. TO
;SHOULD BE HIGH
;IF SO. CONTINUE WITH INTERRUPT
;ROUTINE.
      JB TO,TOSERV
FAULT:      ;ELECTRICAL
            ;FAILURE
            ;PROCESSING
            ;ROUTINE
            ;(LEFT TO
            ;READER'S
            ;IMAGINATION)
TOSERV:    ;CONTINUE WITH
            ;INTERRUPT
            ;PROCESSING
;
;

```

The complete assembled program listing is printed in Appendix A. The resulting code consists of 67 program statements, not counting declarations and comments, which assemble into 150 bytes of object code. Each pass through the service routine requires (coincidentally) 67 μ s plus 32 μ s once per second for the electrical test. If executed every 4 ms as suggested this software would typically reduce the throughput of the background program by less than 2%.

Once a microcomputer has been designed into a system, new features suddenly become virtually free. Software could make the emergency blinkers flash alternately or at a rate faster than the turn signals. Turn signals could override the emergency blinkers. Adding more bulbs would allow multiple tail light sequencing and syncopation—true flash factor, so to speak.

Design Example #5—Complex Control Functions

Finally, we'll mix byte and bit operations to extend the use of 8051 into extremely complex applications.

Programmers can arbitrarily assign I/O pins to input and output functions only if the total does not exceed 32, which is insufficient for applications with a very large number of input variables. One way to expand the number of inputs is with a technique similar to multiplexed-keyboard scanning.

Figure 19 shows a block diagram for a moderately complex programmable industrial controller with the following characteristics:

- 64 input variable sensors:
- 12 output signals:
- Combinational and sequential logic computations:
- Remote operation with communications to a host processor via a high-speed full-duplex serial link:
- Two prioritized external interrupts:
- Internal real-time and time-of-day clocks.

While many microprocessors could be programmed to provide these capabilities with assorted peripheral support chips, an 8051 microcomputer needs no other integrated circuits!

The 64 input sensors are logically arranged as an 8x8 matrix. The pins of Port 1 sequentially enable each column of the sensor matrix: as each is enabled Port 0 reads in the state of each sensor in that column. An eight-byte block in bit-addressable RAM remembers the data as it is read in so that after each complete scan cycle there is an internal map of the current state of all sensors. Logic functions can then directly address the elements of the bit map.

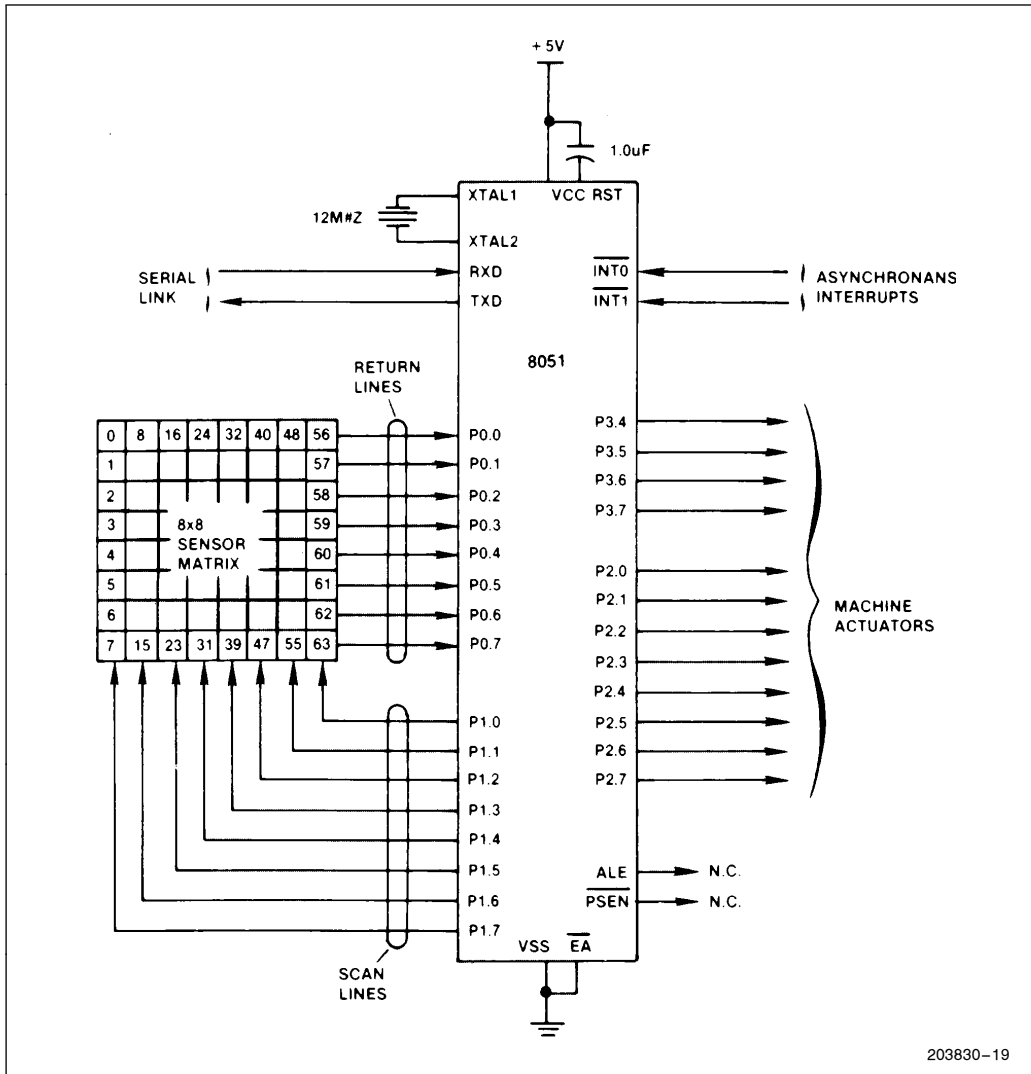


Figure 19. Block Diagram of 64-Input Machine Controller

The computer's serial port is configured as a nine-bit UART, transferring data at 17,000 bytes-per-second. The ninth bit may distinguish between address and data bytes.

The 8051 serial port can be configured to detect bytes with the address bit set, automatically ignoring all others. Pins INT0 and INT1 are interrupts configured respectively as high-priority, falling-edge triggered and low-priority, low-level triggered. The remaining 12 I/O pins output TTL-level control signals to 12 actuators.

There are several ways to implement the sensor matrix circuitry, all logically similar. Figure 20a shows one possibility. Each of the 64 sensors consists of a pair of simple switch contacts in series with a diode to permit multiple contact closures throughout the matrix.

The scan lines from Port 1 provide eight un-encoded active-high scan signals for enabling columns of the matrix. The return lines on rows where a contact is closed are pulled high and read as logic ones. Open return lines are pulled to ground by one of the 40 kΩ resistors and are read as zeroes. (The resistor values must be chosen to ensure all return lines are pulled above the 2.0V logic threshold, even in the worst-case,

where all contacts in an enabled column are closed.) Since P0 is provided open-collector outputs and high-impedance MOS inputs its input loading may be considered negligible.

The circuits in Figures 20b–20d are variations on this theme. When input signals must be electrically isolated from the computer circuitry as in noisy industrial environments, phototransistors can replace the switch diode pairs and provide optical isolation as in Figure 20b. Additional opto-isolators could also be used on the control output and special signal lines.

The other circuits assume that input signals are already at TTL levels. Figure 20c uses octal three-state buffers enabled by active-low scan signals to gate eight signals onto Port 0. Port 0 is available for memory expansion or peripheral chip interfacing between sensor matrix scans. Eight-to-one multiplexers in Figure 20d select one of eight inputs for each return line as determined by encoded address bits output on three pins of Port 1. (Five more output pins are thus freed for more control functions.) Each output can drive at least one standard TTL or up to 10 low-power TTL loads without additional buffering.

Going back to the original matrix circuit, Figure 21 shows the method used to scan the sensor matrix. Two complete bit maps are maintained in the bit-addressable region of the RAM: one for the current state and one for the previous state read for each sensor. If the need arises, the program could then sense input transitions and or debounce contact closures by comparing each bit with its earlier value.

The code in Example 3 implements the scanning algorithm for the circuits in Figure 20a. Each column is enabled by setting a single bit in a field of zeroes. The bit maps are positive logic: ones represent contacts that are closed or isolators turned on.

```

Example 3.
INPUT_SCAN:      ;SUBROUTINE TO READ
                  ;CURRENT STATE
                  ;OF 64 SENSORS AND
                  ;SAVE IN RAM 20H-27H
MOV R0,#20H      ;INITIALIZE
                  ;POINTERS
MOV R1,#28H      ;FOR BIT MAP
                  ;BASES
MOV A,#80H       ;SET FIRST BIT
                  ;IN ACC
SCAN; MOV P1,A   ;OUTPUT TO SCAN
                  ;LINES
RR A             ;SHIFT TO ENABLE
                  ;NEXT COLUMN
                  ;NEXT
MOV R2,A        ;REMEMBER CUR-
                  ;RENT SCAN
                  ;POSITION
MOV A,P0        ;READ RETURN
                  ;LINES
XCH A,@R0       ;SWITCH WITH
                  ;PREVIOUS MAP
                  ;BITS
MOV @R1,A       ;SAVE PREVIOUS
                  ;STATE AS WELL
INC R0          ;BUMP POINTERS
INC R1
MOV A,R2        ;RELOAD SCAN
                  ;LINE MASK
JNB ACC,7;SCAN;LOOP UNTIL ALL
                  ;EIGHT COLUMNS
                  ;READ
RET

```

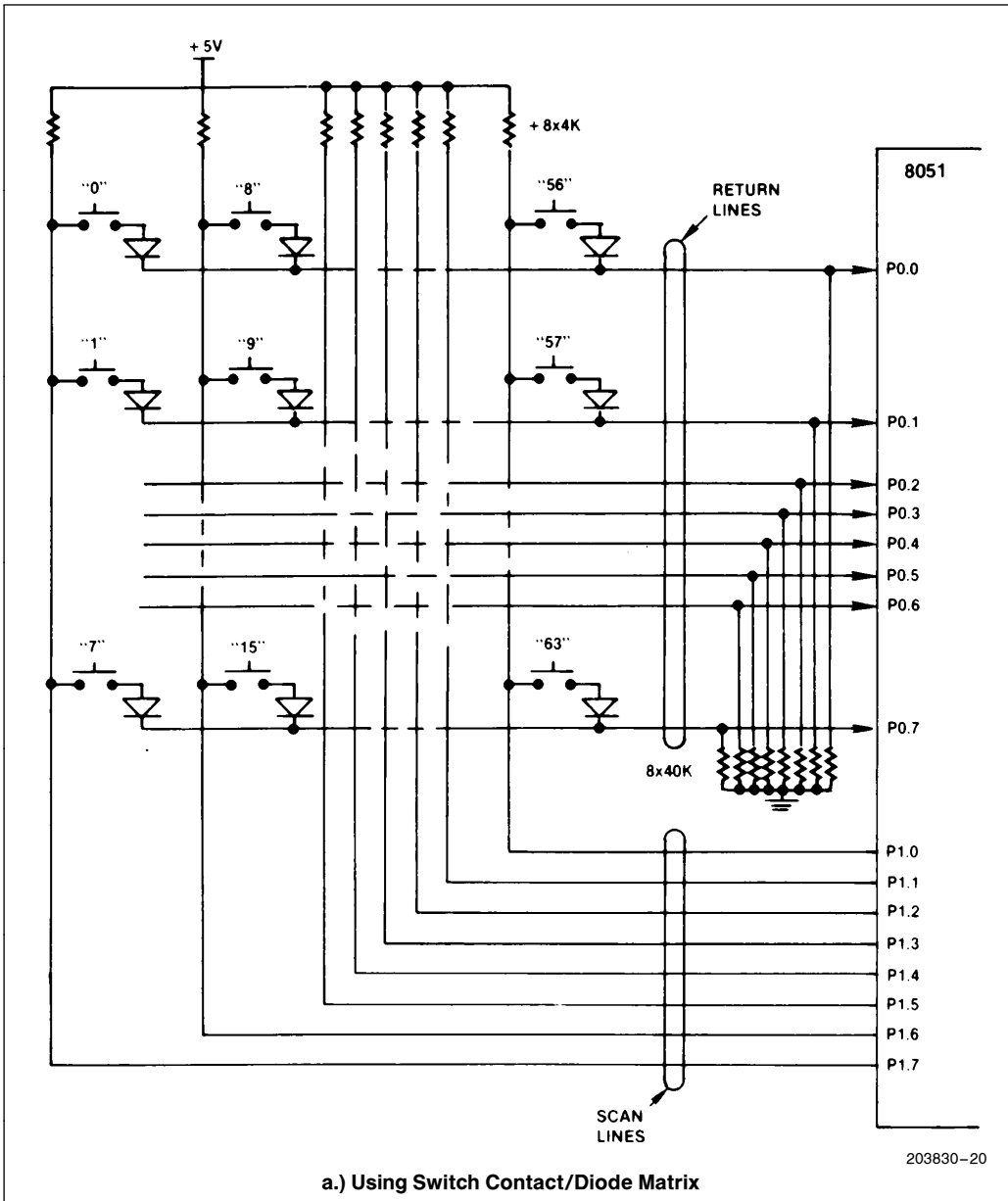


Figure 20. Sensor Matrix Implementation Methods

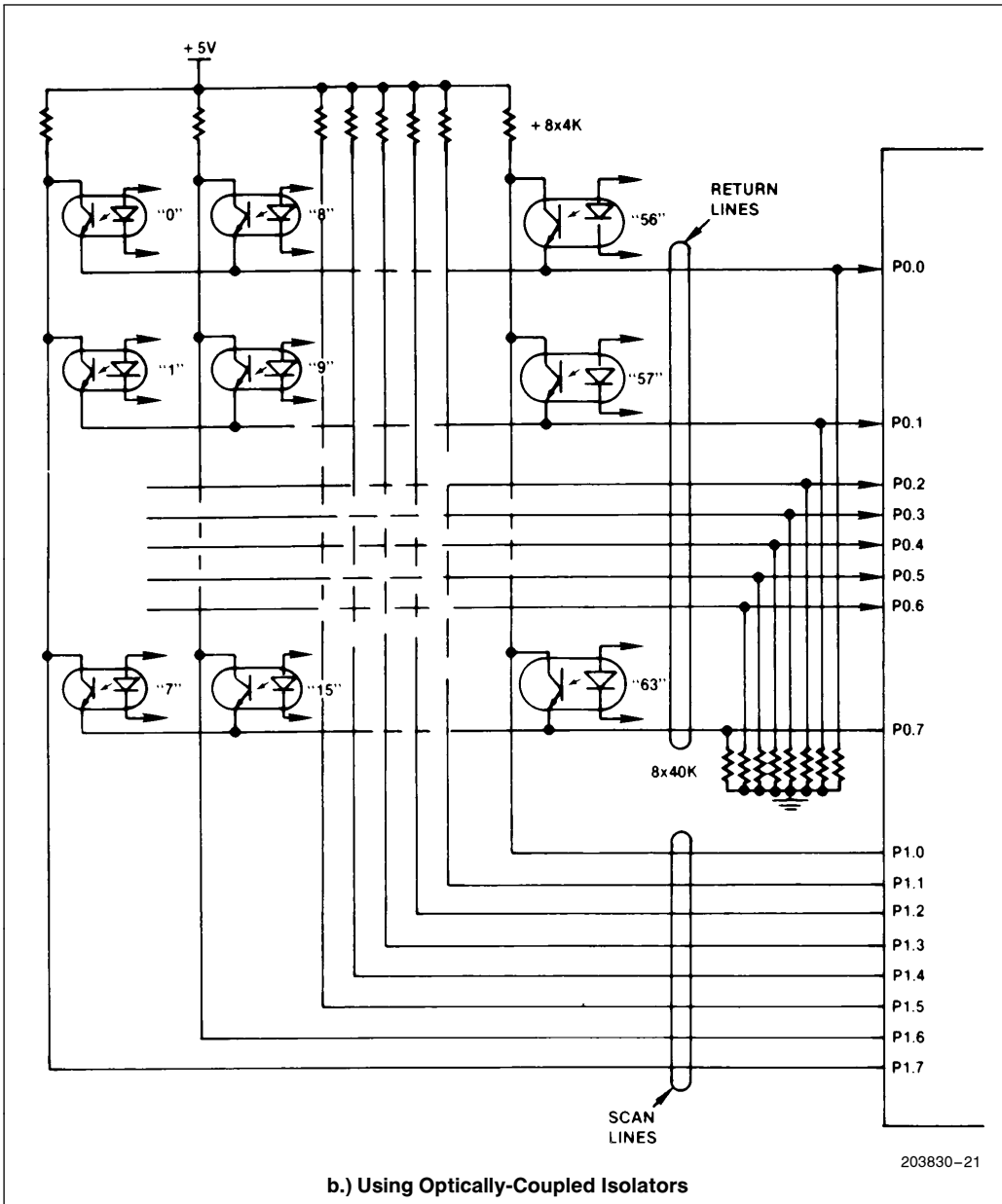
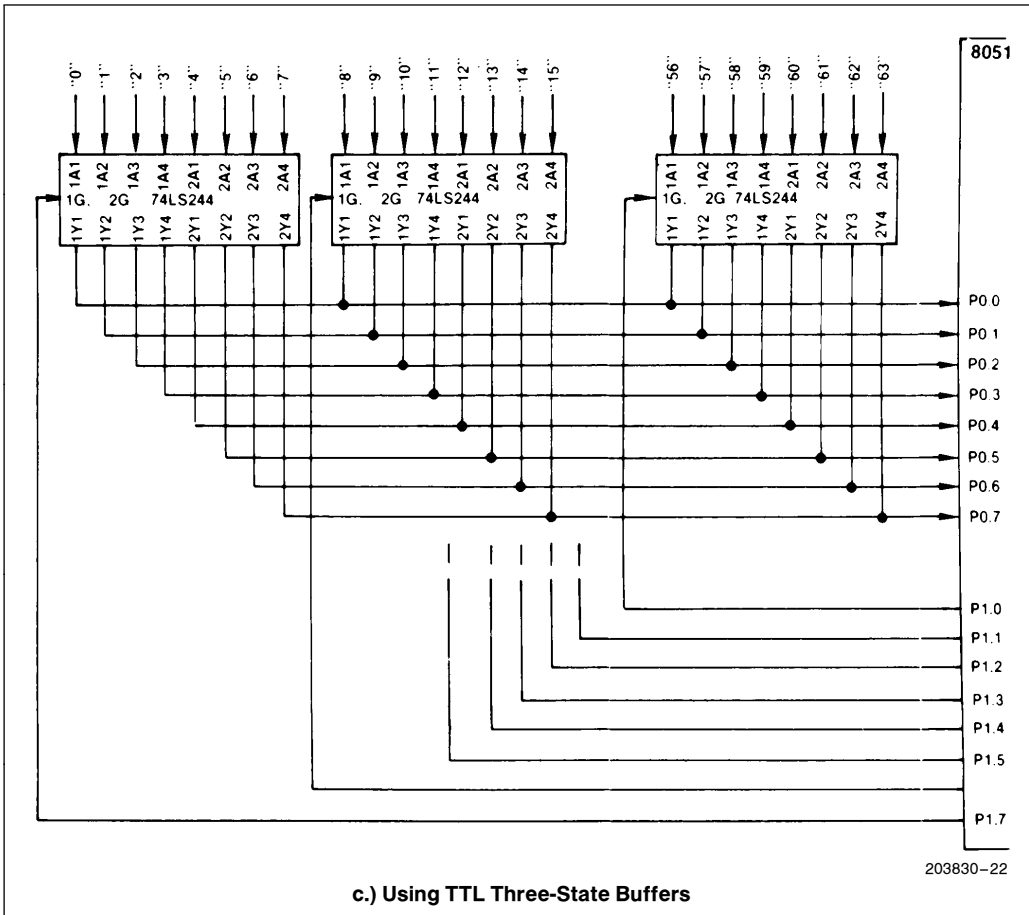


Figure 20. Sensor Matrix Implementation Methods (Continued)





c.) Using TTL Three-State Buffers

Figure 20. Sensor Matrix Implementation Methods (Continued)

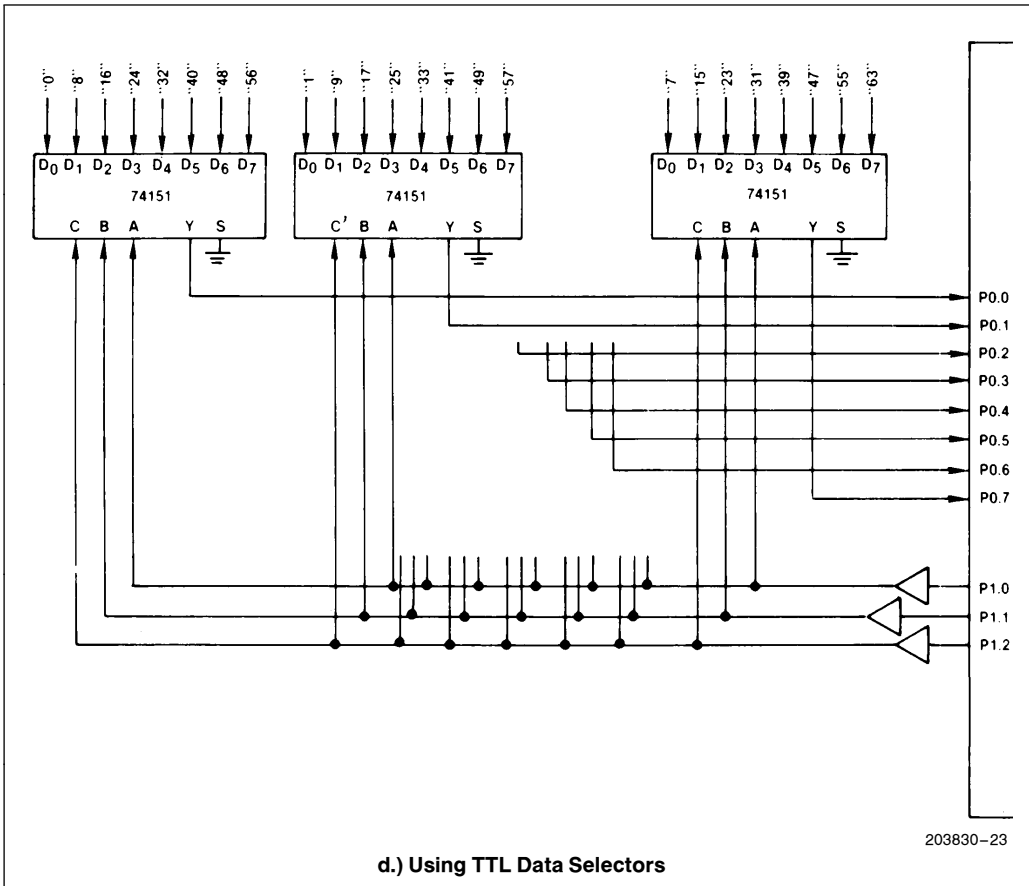


Figure 20. Sensor Matrix Implementation Methods (Continued)



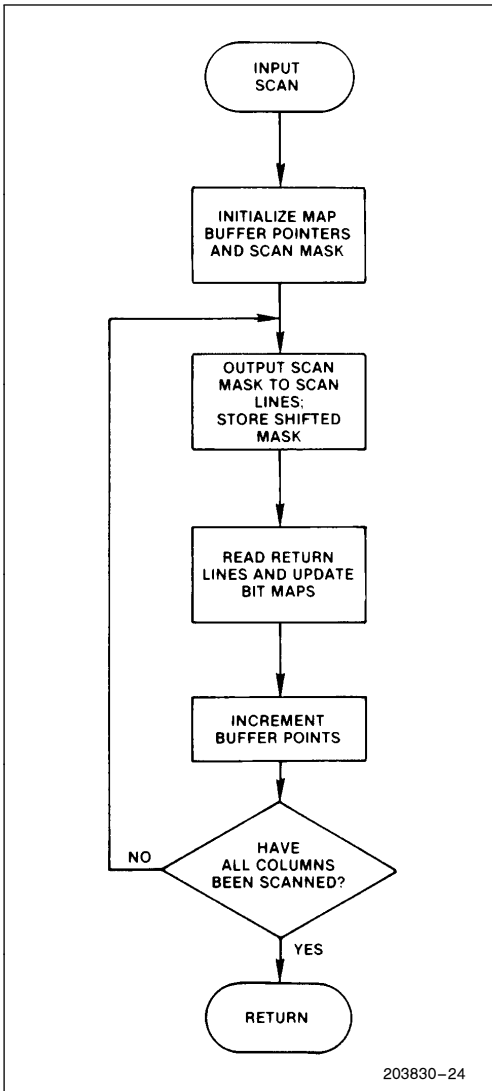


Figure 21. Flowchart for Reading in Sensor Matrix

What happens after the sensors have been scanned depends on the individual application. Rather than in-

venting some artificial design problem, software corresponding to commonplace logic elements will be discussed.

Combinatorial Output Variables. An output variable which is a simple (or not so simple) combinational function of several input variables is computed in the spirit of Design Example 3. All 64 inputs are represented in the bit maps: in fact, the sensor numbers in Figure 20 correspond to the absolute bit addresses in RAM! The code in Example 4 activates an actuator connected to P2.2 when sensors 12, 23, and 34 are closed and sensors 45 and 56 are open.

Example 4.

Simple Combinatorial Output Variables.

```

;SET P2.2=(12)(23)(34)(45)(56)
MOV C,12
ANL C,23
ANL C,34
ANL C,45
ANL C,56
MOV P2.2,C
  
```

Intermediate Variables. The examination of a typical relay-logic ladder diagram will show that many of the rungs control *not* outputs but rather relays whose contacts figure into the computation of other functions. In effect, these relays indicate the state of intermediate variables of a computation.

The MCS-51 solution can use any directly addressable bit for the storage of such intermediate variables. Even when all 128 bits of the RAM array are dedicated (to input bit maps in this example), the accumulator, PSW, and B register provide 18 additional flags for intermediate variables.

For example, suppose switches 0 through 3 control a safety interlock system. Closing any of them should deactivate certain outputs. Figure 22 is a ladder diagram for this situation. The interlock function could be recomputed for every output affected, or it may be computed once and save (as implied by the diagram). As the program proceeds this bit can qualify each output.

```

Example 5. Incorporating Override signal into actu-
ator outputs.

;      CALL INPUT_SCAN
      MOV C,0
      ORL C,1
      ORL C,2
      ORL C,3
      MOV FO,C
;      ....
;      COMPUTE FUNCTION 0
;
      ANL C, FO
      MOV PLO,C
;      ....
;      COMPUTE FUNCTION 1
;
      ANL C, FO
      MOV P1,1,C
;      ....
;      COMPUTE FUNCTION 2
;
      ANL C, FO
      MOV P1,2,C
;      ....
    
```

Latching Relays. A latching relay can be forced into either the ON or OFF state by two corresponding input signals, where it will remain until forced onto the opposite state—analogue to a TTL Set/Reset flip-flop. The relay is used as an intermediate variable for other calculations. In the previous example, the emergency condition could be remembered and remain active until an “emergency cleared” button is pressed.

Any flag or addressable bit may represent a latching relay with a few lines of code (see Example 6).

```

Example 6. Simulating a latching relay.

;I_SET SET FLAG 0 IF C=1
I_SET:  ORL C,FO
        MOV FO,C
;
;I_RSET RESET FLAG 0 IF C=1
I_RSET: CPS C
        ANL C,FO
        MOV FO,C
;
    
```

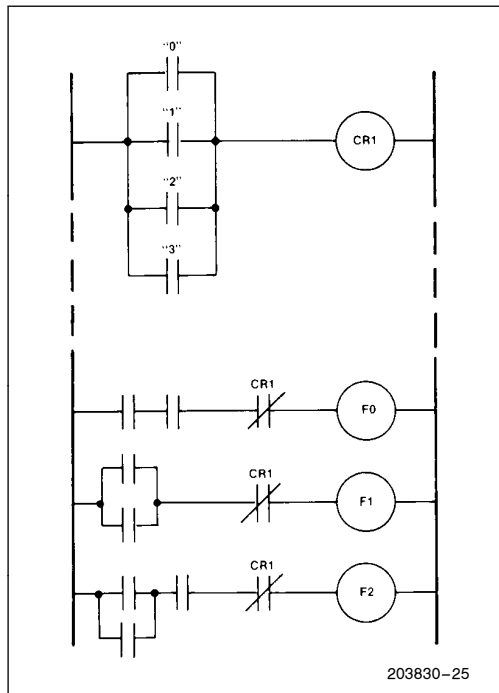


Figure 22. Ladder Diagram for Output Override Circuitry

Time Delay Relays. A time delay relay does not respond to an input signal until it has been present (or absent) for some predefined time. For example, a ballast or load resistor may be switched in series with a D.C. motor when it is first turned on, and shunted from the circuit after one second. This sort of time delay may be simulated by an interrupt routine driven by one of the two 8051 timer counters. The procedure followed by the routine depends heavily on the details of the exact function needed: time-outs or time delays with resettable or non-resettable inputs are possible. If the interrupt routine is executed every 10 milliseconds the code in Example 7 will clear an intermediate variable set by the background program after it has been active for two seconds.

```

Example 7. Code to clear USRFLG after a fixed
time delay.

      JNB  USR_FLG,NXTTST
      DJNZ DLAY_COUNT,NXTTST
      CLR  USR_FLG
      MOV  DLAY_COUNT,#200
NXTTST; ;.. ..
    
```

Serial Interface to Remote Processor. When it detects emergency conditions represented by certain input combinations (such as the earlier Emergency Override), the controller could shut down the machine immediately and/or alert the host processor via the serial port. Code bytes indicating the nature of the problem could be transmitted to a central computer. In fact, at 17,000 bytes-per-second, the entire contents of both bit maps could be sent to the host processor for further analysis in less than a millisecond! If the host decides that conditions warrant, it could alert other remote processors in the system that a problem exists and specify which shut-down sequence each should initiate. For more information on using the serial port, consult the MCS-51 User's Manual.

Response Timing

One difference between relay and programmed industrial controllers (when each is considered as a "black box") is their respective reaction times to input changes. As reflected by a ladder diagram, relay systems contain a large number of "rungs" operating in parallel. A change in input conditions will begin propagating through the system immediately, possibly affecting the output state within milliseconds.

Software, on the other hand, operates sequentially. A change in input states will not be detected until the next time an input scan is performed, and will not affect the outputs until that section of the program is reached. For that reason the raw speed of computing the logical functions is of extreme importance.

Here the Boolean processor pays off. *Every instruction mentioned in this Note* completes in one or two microseconds—the *minimum* instruction execution time for many other microcontrollers! A ladder diagram containing a hundred rungs, with an average of four contacts per rung can be replaced by approximately five hundred lines of software. A complete pass through the entire matrix scanning routine and all computations would require about a millisecond: less than the time it takes for most relays to change state.

A programmed controller which simulates each Boolean function with a subroutine would be less efficient by at least an order of magnitude. Extra software is needed for the simulation routines, and each step takes longer to execute for three reasons: several byte-wide logical instructions are executed per user program step (rather than one Boolean operation); most of those instructions take longer to execute with microprocessors performing multiple off-chip accesses; and calling and returning from the various subroutines requires overhead for stack operations.

In fact, the speed of the Boolean Processor solution is likely to be much faster than the system requires. The CPU might use the time left over to compute feedback parameters, collect and analyze execution statistics, perform system diagnostics, and so forth.

Additional Functions and Uses

With the building-block basics mentioned above many more operations may be synthesized by short instruction sequences.

Exclusive-OR. There are no common mechanical devices or relays analogous to the Exclusive-OR operation, so this instruction was omitted from the Boolean Processor. However, the Exclusive-OR or Exclusive-NOR operation may be performed in two instructions by conditionally complementing the carry or a Boolean variable based on the state of any other testable bit.

```

;EXCLUSIVE-OR FUNCTION IMPOSED ON CARRY
;USING FO IS INPUT VARIABLE.
;XOR_F0: JNB FO,XORCNT ;("JB" FOR X-NOR)
        CPL C
;XORCNT: ... ..
```

XCH. The contents of the carry and some other bit may be exchanged (switched) by using the accumulator as temporary storage. Bits can be moved into and out of the accumulator simultaneously using the Rotate-



through-carry instructions, though this would alter the accumulator data.

```

;EXCHANGE CARRY WITH USRFLG
XCHBIT: RLC    A
        MOV    C,USR_FLG
        RRC    A
        MOV    USR_FLG,C
        RLC    A

```

Extended Bit Addressing. The 8051 can directly address 144 general-purpose bits for all instructions in Figure 3b. Similar operations may be extended to any bit anywhere on the chip with some loss of efficiency.

The logical operations AND, OR, and Exclusive-OR are performed on byte variables using six different addressing modes, one of which lets the source be an immediate mask, and the destination any directly addressable byte. Any bit may thus be set, cleared, or complemented with a three-byte, two-cycle instruction if the mask has all bits but one set or cleared.

Byte variables, registers, and indirectly addressed RAM may be moved to a bit addressable register (usually the accumulator) in one instruction. Once transferred, the bits may be tested with a conditional jump, allowing any bit to be polled in 3 microseconds—still much faster than most architectures—or used for logical calculations. (This technique can also simulate additional bit addressing modes with byte operations.)

Parity of bytes or bits. The parity of the current accumulator contents is always available in the PSW, from whence it may be moved to the carry and further processed. Error-correcting Hamming codes and similar applications require computing parity on groups of isolated bits. This can be done by conditionally complementing the carry flag based on those bits or by gathering the bits into the accumulator (as shown in the DES example) and then testing the parallel parity flag.

Multiple byte shift and CRC codes

Though the 8051 serial port can accommodate eight- or nine-bit data transmissions, some protocols involve much longer bit streams. The algorithms presented in

Design Example 2 can be extended quite readily to 16 or more bits by using multi-byte input and output buffers.

Many mass data storage peripherals and serial communications protocols include Cyclic Redundancy (CRC) codes to verify data integrity. The function is generally computed serially by hardware using shift registers and Exclusive-OR gates, but it can be done with software. As each bit is received into the carry, appropriate bits in the multi-byte data buffer are conditionally complemented based on the incoming data bit. When finished, the CRC register contents may be checked for zero by ORing the two bytes in the accumulator.

4.0 SUMMARY

A truly unique facet of the Intel MCS-51 microcomputer family design is the collection of features optimized for the one-bit operations so often desired in real-world, real-time control applications. Included are 17 special instructions, a Boolean accumulator, implicit and direct addressing modes, program and mass data storage, and many I/O options. These are the world's first single-chip microcomputers able to efficiently manipulate, operate on, and transfer either bytes or individual bits as data.

This Application Note has detailed the information needed by a microcomputer system designer to make full use of these capabilities. Five design examples were used to contrast the solutions allowed by the 8051 and those required by previous architectures. Depending on the individual application, the 8051 solution will be easier to design, more reliable to implement, debug, and verify, use less program memory, and run up to an order of magnitude faster than the same function implemented on previous digital computer architectures.

Combining byte- and bit-handling capabilities in a single microcomputer has a strong synergistic effect: the power of the result exceeds the power of byte- and bit-processors laboring individually. Virtually all user applications will benefit in some way from this duality. Data intensive applications will use bit addressing for test pin monitoring or program control flags: control applications will use byte manipulation for parallel I/O expansion or arithmetic calculations.

It is hoped that these design examples give the reader an appreciation of these unique features and suggest ways to exploit them in his or her own application.



APPENDIX A

Automobile Turn-Indicator Controller Program Listing

```

ISIS-I1 MCS-51 MACRO ASSEMBLER V1.0
OBJECT MODULE PLACED IN :FO AP70.HEX
ASSEMBLER INVOKED BY : f1.asm51 ap70 src date(328)
LOC OBJ LINE SOURCE
1 $XREF TITLE(AP-70 APPENDIX)
2 ;*****
3 ;
4 ;
5 ; THE FOLLOWING PROGRAM USES THE BOOLEAN INSTRUCTION SET
6 ; OF THE INTEL 8051 MICROCOMPUTER TO PERFORM A NUMBER OF
7 ; AUTOMOTIVE DASHBOARD CONTROL FUNCTIONS RELATING TO
8 ; TURN SIGNAL CONTROL, EMERGENCY BLINKERS, BRAKE LIGHT
9 ; CONTROL, AND PARKING LIGHT OPERATION.
10 ; THE ALGORITHMS AND HARDWARE ARE DESCRIBED IN DESIGN
11 ; EXAMPLE #4 OF INTEL APPLICATION NOTE AP-70.
12 ; "USING THE INTEL MCS-51(TM)
13 ; BOOLEAN PROCESSING CAPABILITIES"
14 ;*****
15 ;
16 ; INPUT PIN DECLARATIONS:
17 ; (ALL INPUTS ARE POSITIVE-TRUE LOGIC
18 ; INPUTS ARE HIGH WHEN RESPECTIVE SWITCH CONTACT IS CLOSED )
19 ;
20 ; BRAKE BIT P1.0 ; BRAKE PEDAL DEPRESSED
21 ; EMERG BIT P1.1 ; EMERGENCY BLINKER ACTIVATED
22 ; PARK BIT P1.2 ; PARKING LIGHTS ON
23 ; L_TURN BIT P1.3 ; TURN LEVER DOWN
24 ; R_TURN BIT P1.4 ; TURN LEVER UP
25 ;
26 ;
27 ; OUTPUT PIN DECLARATIONS:
28 ; (ALL OUTPUTS ARE POSITIVE TRUE LOGIC
29 ; BULB IS TURNED ON WHEN OUTPUT PIN IS HIGH )
30 ;
31 ; L_FRNT BIT P1.5 ; FRONT LEFT-TURN INDICATOR
32 ; R_FRNT BIT P1.6 ; FRONT RIGHT-TURN INDICATOR
33 ; L_DASH BIT P1.7 ; DASHBOARD LEFT-TURN INDICATOR
34 ; R_DASH BIT P2.0 ; DASHBOARD RIGHT-TURN INDICATOR
35 ; L_REAR BIT P2.1 ; REAR LEFT-TURN INDICATOR
36 ; R_REAR BIT P2.2 ; REAR RIGHT-TURN INDICATOR
37 ; S_FAIL BIT P2.3 ; ELECTRICAL SYSTEM FAULT INDICATOR
38 ;
39 ;
40 ; INTERNAL VARIABLE DEFINITIONS:
41 ;
42 ; SUB_DIV DATA 20H ; INTERRUPT RATE SUBDIVIDER
43 ; HI_FREQ BIT SUB_DIV 0 ; HIGH-FREQUENCY OSCILLATOR BIT
44 ; LO_FREQ BIT SUB_DIV 7 ; LOW-FREQUENCY OSCILLATOR BIT
45 ;
46 ; DIM BIT P5W 1 ; PARKING LIGHTS ON FLAG
47 ;
48 +1 $EJECT

```

203830-26

LOC	OBJ	LINE	SOURCE
0000	020040	49	ORG 0000H ; RESET VECTOR
		50	LJMP INIT
000B		51	
000B	758CF0	52	ORG 000BH ; TIMER 0 SERVICE VECTOR
000E	C0D0	53	MOV TH0, #16 ; HIGH TIMER BYTE ADJUSTED TO CONTROL INT. RATE
0010	0154	54	PUSH PSM ; EXECUTE CODE TO SAVE ANY REGISTERS USED BELOW
		55	AJMP UPDATE ; (CONTINUE WITH REST OF ROUTINE)
		56	
0040		57	ORG 0040H ; ZERO LOADED INTO LOW-ORDER BYTE AND
0040	75BA00	58	MOV TLO, #0 ; -16 IN HIGH-ORDER BYTE GIVES 4 MSEC PERIOD
0043	75BCF0	59	MOV TH0, #16 ; 8-BIT AUTO RELOAD COUNTER MODE FOR TIMER 1,
0046	75B961	60	MOV THDD, #011000001B ; 16-BIT TIMER MODE FOR TIMER 0 SELECTED
0049	7520F4	61	MOV SUB_DIV, #244 ; SUBDIVIDE INTERRUPT RATE BY 244 FOR 1 HZ
004C	D2A9	62	SETB ETO ; USE TIMER 0 OVERFLOWS TO INTERRUPT PROGRAM
004E	D2AF	63	SETB EA ; CONFIGURE IE TO GLOBALLY ENABLE INTERRUPTS
0050	D2BC	64	SETB TRO ; KEEP INSTRUCTION CYCLE COUNT UNTIL OVERFLOW
0052	80FE	65	SETB \$; START BACKGROUND PROGRAM EXECUTION
		66	
		67	
		68	
0054	D52038	69	UPDATE: DJNZ SUB_DIV, TOSERV ; EXECUTE SYSTEM TEST ONLY ONCE PER SECOND
0057	7520F4	70	MOV SUB_DIV, #244 ; GET VALUE FOR NEXT ONE SECOND DELAY AND
		71	
005A	4390E0	72	ORL P1, #111000000B ; GO THROUGH ELECTRICAL SYSTEM TEST CODE
005D	43A007	73	ORL P2, #000001111B ; SET CONTROL OUTPUTS HIGH
0060	C295	74	CLR L_FRNT ; FLGAT DRIVE COLLECTOR
0062	20B428	75	JB TO_FAULT ; TO SHOULD BE PULLED LOW
0065	D295	76	CLR L_DASH ; PULL COLLECTOR BACK DOWN
0067	C297	77	JB TO_FAULT ; REPEAT SEQUENCE FOR L_DASH,
0069	20B421	78	JB TO_FAULT
006C	D297	79	SETB L_DASH ; L_REAR,
006E	C2A1	80	CLR L_REAR ; L_REAR,
0070	20B41A	81	JB TO_FAULT
0073	D2A1	82	SETB L_REAR ; L_REAR,
0075	C296	83	CLR R_FRNT ; R_FRNT,
0077	20B413	84	JB TO_FAULT
007A	D296	85	SETB R_FRNT ; R_DASH,
007C	C2A0	86	CLR R_DASH ; R_DASH,
007E	20B40C	87	JB TO_FAULT ; AND R_REAR,
0081	D2A0	88	SETB R_REAR ; AND R_REAR,
0083	C2A2	89	CLR R_REAR ; AND R_REAR,
0085	20B405	90	JB TO_FAULT ; AND R_REAR,
008B	D2A2	91	SETB R_REAR ; AND R_REAR,
		92	
		93	
		94	
		95	
		96	
008A	20B402	97	FAULT: JB TO_TOSERV ; WITH ALL COLLECTORS GROUNDED, TO SHOULD BE HIGH
008D	B2A3	98	CPL S_FAIL ; IF SO, CONTINUE WITH INTERRUPT ROUTINE
		99 +1	\$EJECT ; ELECTRICAL FAILURE PROCESSING ROUTINE ; (TOGGLE INDICATOR ONCE PER SECOND)

LDC	OBJ	LINE	SOURCE
		100	; CONTINUE WITH INTERRUPT PROCESSING.
		101	; 1) COMPUTE LOW BULB INTENSITY WHEN PARKING LIGHTS ARE ON
		102	; TOSERV;
		103	; C.SUB_DIV 1 ; START WITH 50 PERCENT.
008F	A201	104	C.SUB_DIV 0 ; MASK DOWN TO 25 PERCENT.
0091	8200	105	ORL ; BUILD BACK TO 82.5 PERCENT.
0093	7202	106	ANL ; GATE WITH PARKING LIGHT SWITCH.
0095	6292	107	C.PARK ; AND SAVE IN TEMP. VARIABLE.
0097	92D1	108	MOV DIM,C ; AND OUTPUT TO DASHBOARD
		109	; 2) COMPUTE AND OUTPUT LEFT-HAND DASHBOARD INDICATOR
		110	; C.L_TURN ; SET CARRY IF TURN
0099	A293	111	ORL C.EMERG ; OR EMERGENCY SELECTED
009B	7291	112	ANL ; IF SO, GATE IN 1 HZ SIGNAL
009D	8207	113	ORL L_DASH,C ; AND OUTPUT TO DASHBOARD
009F	9297	114	MOV ;
		115	; 3) COMPUTE AND OUTPUT LEFT-HAND FRONT TURN SIGNAL
		116	; F0,C ; SAVE FUNCTION SO FAR
		117	; C.DIM ; ADD IN PARKING LIGHT FUNCTION
00A1	92D5	118	ORL L_FRNT,C ; AND OUTPUT TO TURN SIGNAL.
00A3	72D1	119	MOV ;
00A5	9295	120	; 4) COMPUTE AND OUTPUT LEFT-HAND REAR TURN SIGNAL.
		121	; C.BRAKE ; GATE BRAKE PEDAL SWITCH
		122	C./L_TURN ; WITH TURN LEVER.
		123	ORL ; INCLUDE TEMP. VARIABLE FROM DASH
		124	C.FO ; AND PARKING LIGHT FUNCTION
00A7	A290	125	ORL L_REAR,C ; AND OUTPUT TO TURN SIGNAL.
00A9	8073	126	; 5) REPEAT ALL OF ABOVE FOR RIGHT-HAND COUNTERPARTS
00AB	72D5	127	; C.R_TURN ; SET CARRY IF TURN
00AD	72D1	128	ORL C.EMERG ; OR EMERGENCY SELECTED
00AF	92A1	129	ANL ; IF SO, GATE IN 1 HZ SIGNAL
		130	ORL R_DASH,C ; AND OUTPUT TO DASHBOARD
		131	MOV ;
		132	; 6) REPEAT ALL OF ABOVE FOR RIGHT-HAND COUNTERPARTS
00B1	A294	133	; C.R_TURN ; SET CARRY IF TURN
00B3	7291	134	ORL C.EMERG ; OR EMERGENCY SELECTED
00B5	8207	135	ANL ; IF SO, GATE IN 1 HZ SIGNAL
00B7	92A0	136	ORL R_DASH,C ; AND OUTPUT TO DASHBOARD
00B9	92D5	137	MOV ;
00BB	72D1	138	; 7) REPEAT ALL OF ABOVE FOR RIGHT-HAND COUNTERPARTS
00BD	9296	139	; C.DIM ; ADD IN PARKING LIGHT FUNCTION
00BF	A290	140	ORL R_FRNT,C ; AND OUTPUT TO TURN SIGNAL.
00C1	8094	141	MOV C.BRAKE ; GATE BRAKE PEDAL SWITCH
00C3	72D5	142	ANL ; WITH TURN LEVER.
00C5	72D1	143	ORL C.FO ; INCLUDE TEMP. VARIABLE FROM DASH
00C7	92A2	144	ORL L_REAR,C ; AND PARKING LIGHT FUNCTION
		145	MOV ; AND OUTPUT TO TURN SIGNAL.
		146	; RESTORE STATUS REGISTER AND RETURN
		147	; POP PSW ; RESTORE PSW
00C9	D0D0	148	; RETI ; AND RETURN FROM INTERRUPT ROUTINE
00CB	32	149	; END
		150	; END
		151	; END

203830-28



XREF SYMBOL TABLE LISTING

NAME	TYPE	VALUE AND REFERENCES
BRAKE	N BSEG	20# 125 140
DIM	N BSEG	00D1H 45# 108 120 128 138 143
EA	N BSEG	00AFH 64
EMERG	N BSEG	0091H 21# 113 134
ETO	N BSEG	00A9H 63
FO	N BSEG	00D5H 119 127 137 142
FAULT	L CSEG	08BDH 75 78 81 84 87 90 97#
HI_FREQ	N BSEG	0000H 42#
INIT	L CSEG	0040H 50 58#
L_DASH	N BSEG	0097H 32# 77 79 115
L_FRNT	N BSEG	0075H 30# 74 76 121
L_REAR	N BSEG	00A1H 34# 80 82 129
L_TURN	N BSEG	0093H 23# 112 126
LO_FREQ	N BSEG	0007H 43# 114 135
P1	N DSEG	20 21 22 23 24 30 31 32 72
P2	N DSEG	33 34 35 37 73
PARK	N BSEG	0092H 22# 107
PSW	N DSEG	00D0H 45 54 148
R_DASH	N BSEG	00A0H 33# 86 88 136
R_FRNT	N BSEG	0076H 31# 83 85 139
R_REAR	N BSEG	00A2H 35# 89 91 144
R_TURN	N BSEG	0094H 24# 133 141
S_FAIL	N BSEG	00A3H 37# 97
SUB_DIV	N DSEG	0020H 41# 42 43 62 69 70 104 105 106
T0	N BSEG	00B4H 75 78 81 84 87 90 96
TOSERV	L CSEG	00BFH 69 96 104#
TH0	N DSEG	008CH 53 59
TLO	N DSEG	008AH 58
TMOD	N DSEG	0089H 60
TRO	N DSEG	008CH 65
UPDATE	L CSEG	0054H 55 69#

ASSEMBLY COMPLETE. NO ERRORS FOUND

203880-29



INTEL CORPORATION, 2200 Mission College Blvd., Santa Clara, CA 95052; Tel. (408) 765-8080

INTEL CORPORATION (U.K.) Ltd., Swindon, United Kingdom; Tel. (0793) 696 000

INTEL JAPAN k.k., Ibaraki-ken; Tel. 029747-8511

