

Mercury-IQ Server Motherboard With Intelligent I/O

Processor (Socket 8/VRM Support)

- Dual Intel Pentium® Pro Processor at 150/166/180/200 MHz (Higher When Available) With 256/512 KB L2 Cache

Chip Set

- Intel Natoma (440FX) With I/O APIC

Main Memory

- 1 GB On-Board Maximum Onboard
- 4 SIMMs and 2 DIMMs Supported
- ECC and Parity Supported
- EDO, BEDO and FP Memory Supported
- Memory Interleaving Supported

Footprint

- Full AT (12" x 13")

Slots

- 3 Primary Slots
- 3 Intelligent PCI Slots
- 1 ISA Slot
- 1 Shared Slot (ISA/Intelligent PCI)

Integrated I/O

- SMC 665 IR
- 1 Parallel Port (ECP/EPP)
- 2 Serial Ports (16550 UART)
- 1 Floppy Interface (2.88 Mb)
- PS/2 Mouse, Keyboard Support
- PIIx3
- PCI Enhanced IDE Support
- PIO and Bus Master IDE
- Mode 4 and Above Timing
- LBA Support
- 2 USB Ports

On-Board Display

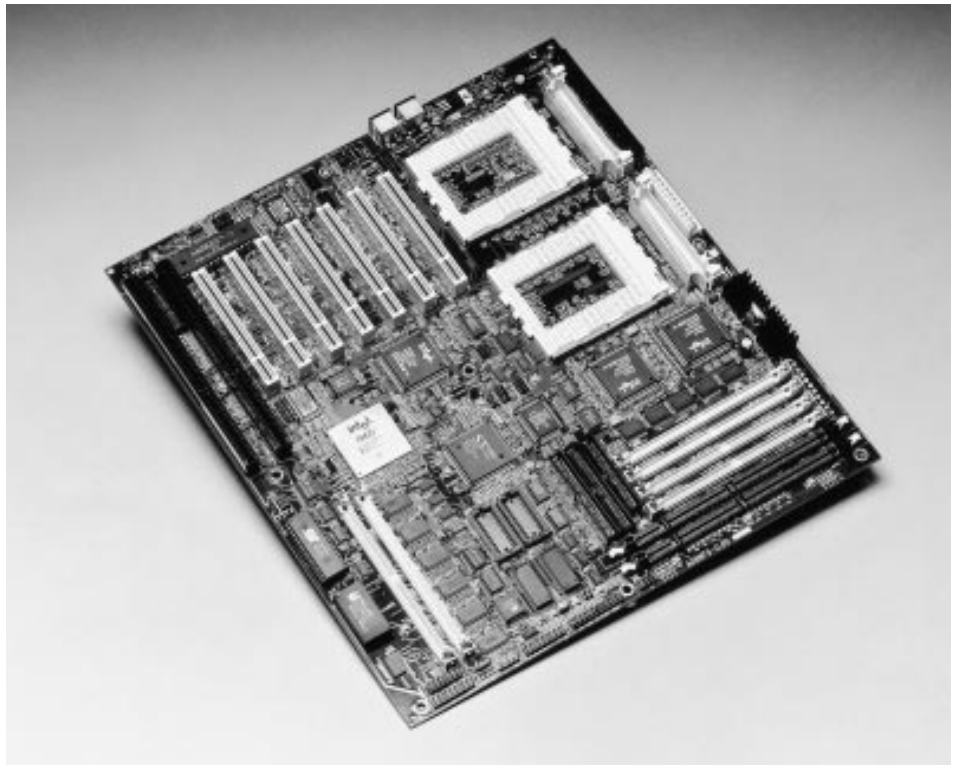
- S3 TRIO 64V+ With 1 MB Memory
- VGA Feature Connector

On-Board Intelligent I/O

- Intel i960® RP I/O Processor
- Firmware in 2 MB Flash EPROM
- 2 SIMMS
- 256 MB Maximum Onboard
- Memory Parity Supported
- EDO, BEDO and FP Memory Supported
- Memory Interleaving Supported
- Serial Port on i960 RP I/O Processor
- Local Bus (16550A UART)
- I²C Bus Port

Server Monitoring Features

- Temperature Sensor



- Voltage (+5v, +12v, -5v, -12v, +3.3v, VRM1, VRM2)
- 3 FAN Monitoring (Rotation Sense)
- Chassis Intrusion
- POST Code Capture
- Automatic Server Restart
- Event Log
- Remote Console Connectivity
- Remote Reboot, Reset

Security Features

- Front Panel Reset and Power Supply Switch Disable
- Video Blanking
- Floppy Disk Write Protect
- Keyboard Lock (Hot Key)

Additional Features

- 3.3V Regular Onboard
- Speaker Port, Clock/Calendar

Bios

- Flash EPROM
- i960 RP Processor PCI-PCI Bridge Support
- DMI Support
- APM Support
- ATAPI Support For IDE CDROM
- Bootable CDROM Support
- ATA IDE Mode Programming

- EIDE Support
- Plug and Play Compliant
- Automatic Server Restart
- Boot Sector Virus Protection
- Event Log

CONTACT:

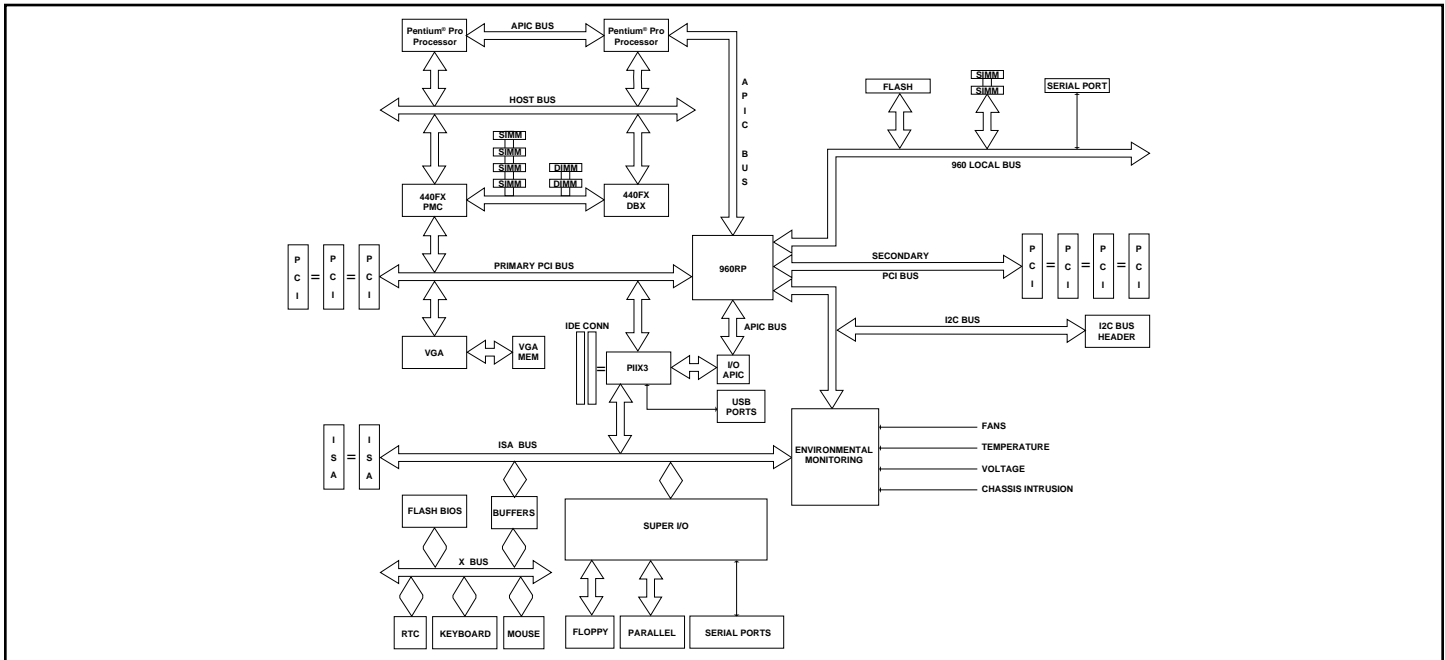
TMC

631 S. Milpitas Blvd.
Milpitas, CA 95035

Phone: (408) 262-0888

FAX: (408) 262-1082





Prescient* Server Manager

- Windows NT and Netware Support
- Server Auto Discovery
- Remote Console Support (Windows and Win95)
- Hardware/Software Configuration Information
- Server Resource Monitoring and Alerting
- Server and Alert Log Management
- Error Statistics From LAN Adapters
- Remote Screen View
- Remote Session
- ASR Support
- Environmental Monitoring
- Graphing and Trending
- Event Scheduling
- RAID Management
- I₂O™ Compatible RAID HDM
- Server Monitoring HDM
- Remote DMI Browser and MIF Viewer

The Mercury IQ is the industry's first Pentium Pro server motherboard which supports intelligent I/O. By incorporating Intel's i960 RP I/O processor, it is able to enhance server performance by reducing the I/O processing load on the host CPU(s). This integration also results in tremendous expandability, flexibility and cost effectiveness. The PCI-to-PCI bridge built into the i960 RP I/O processor allows up to 7 PCI expansion slots (including 4 intelligent PCI slots). Use of inexpensive dumb PCI interface cards (e.g. SCSI adapters) and appropriate software (e.g. RAID) running on the i960 RP I/O processor enables the Mercury IQ to provide features and performance at a substantially lower price when compared to existing solutions today.

Based on Intel's Natoma (440 FX) chip-set, the dual processor Mercury IQ features on-board bus-mastering EIDE and USB (P11X3) ports, VGA (Trio64V+), Super I/O (SMC665 IR) as well as server monitoring functions such as temperature, fans rotation, chassis intrusion, post-code capture and automatic server restart.

The i960 RP I/O processor supports a serial port on its local bus, enabling remote reset, reboot and alerting functions (through an external modem). Its FC bus also supports off-board temperature sensors, fans rotation sensors, LCD display etc.

Enhanced security features such as keyboard security lock, disable front-panel switches, video blanking and floppy drive write-protect are also provided.

The Mercury IQ comes with PRESCIENT Server Manager for Novell NetWare* and Windows NT*. PRESCIENT is a low-cost, highly flexible server management software which allows network administrators to view hardware configuration and monitor performance of remote NetWare and NT servers on the network. PRESCIENT monitors usage and performance of critical components such as processors, memory, LAN adapters, environmental parameters etc. Thresholds can be set, errors detected and alerts raised (local/remote) before serious problems occur. Graphing, trending and event scheduling capabilities are also provided.

PRESCIENT also includes RAID management, as well as an I₂O-compatible RAID HDM and server monitoring HDM (both running on the i960 RP I/O processor). A DMI browser and MIF viewer is also available with PRESCIENT.