

CC3i High Performance T3/FT3 Adapter For The PCI Bus

Feature Summary

- 33 MHz i960® CF Processor
- 1 MB Packet RAM
- 256K Code RAM
- 0.5 MB Flash RAM
- VLSI HDLC Controller (VHC)
- 32-Bit PCI Interface
- 16/32 Bit CRC
- Speeds of 52 Mbps
- E3, T3 & FT3 Rates Supported
- HSSI, RS422 and V.35 Interface Options
- DSX-3 & E3 Interface Options
- OEM ID Supported

Applications

- SMDS DXI Interface
- ATM DXI Interface
- HDLC/PPP/Frame Relay Interface
- T3/FT3, HSSI Monitoring
- Clear Channel Data Transport
- MPEG Video Transport
- Satellite Communications

The CC3i is a high performance PCI adapter for High Speed Data and Video Networking Applications. Typical applications for this adapter would have requirements for a T3, FT3, E3, ATM or SMDS DXI (HDLC) interface.

The CC3i adapter is a full sized PCI card which is based on a 32-bit PCI Interface chip that supports Bus Mastering at a burst rate of 132 Megabytes per second. Figure 1 illustrates the building blocks for the CC3i.

33 MHz i960 RISC PROCESSOR MPU

The main functional components on the CC3i are i960 RISC processor, the PCI interface and the DXI HDLC controller. The i960 processor manages packet flow between the DXI controller, Dual Port Packet Ram and Host RAM. The i960 processor can act as a Direct PCI Bus Master with direct access into Host RAM or initiate DMA transfers between Packet RAM and Host Buffers via the PCI interface controller.



52 Mbps HDLC CONTROLLER

The VLSI HDLC Controller (VHC) supports both HDLC and transparent modes of operation at speeds of up to 52 Mbps. A Dual Port RAM connected to the VHC Controller provides local packet buffering for both Transmit and Receive directions and for processing by the i960 processor.

MODULAR PHYSICAL INTERFACES

The CC3i features a modular electrical (HSSI, V.35, RS422) interface and telecoms (T3/E3) interfaces. The electrical interfaces include EIA530, V.35 (10 Mbps max.) and HSSI (34, 45 and 52 Mbps). The telecoms modules supported will include E3 (34 Mbps) and DS3 (44.736 Mbps). Custom Telecoms modules are available to OEM customers.

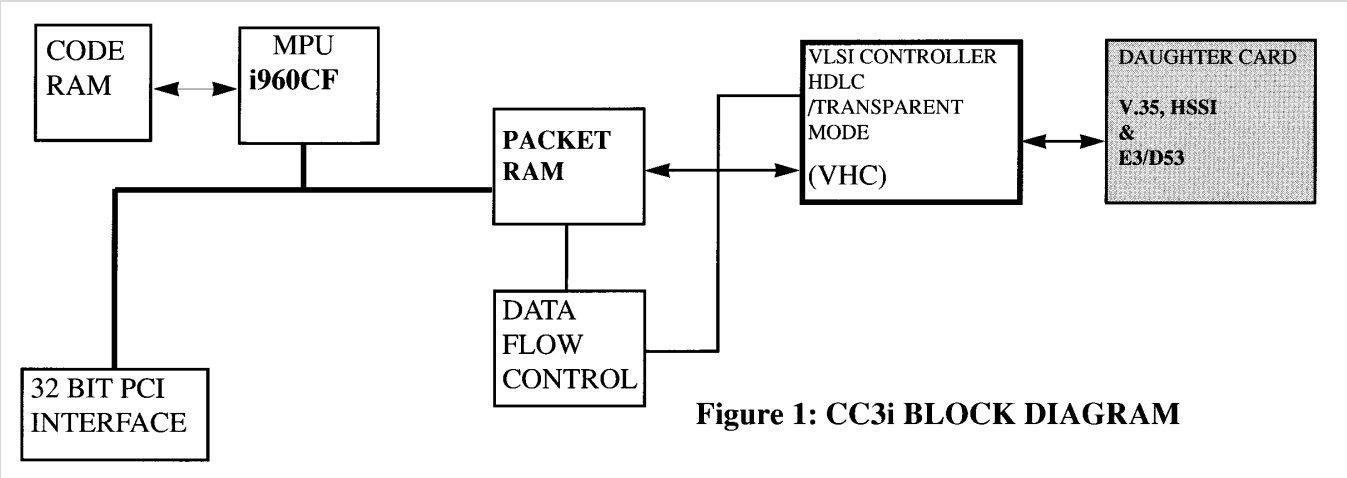
SOFTWARE DEVELOPMENT KIT

The CC3i is available complete with low level Drivers for DOS, Windows NT and popular versions of UNIX. A well defined API facilitates applications development by OEMs.

CONTACT:

SDL Communications, Inc.
 46 Eastman Street
 Easton, MA 02334-1303
 Phone: (508) 238-4490
 FAX: (508) 238-1053
 e-mail: sales@sdldcomm.com





SPECIFICATIONS

PCI INTERFACE

Adapter Type: 32-bit PCI Bus
RISC MPU: 33 MHz Intel 80960CF
Packet RAM: 0.5 MB
Flash RAM: 0.5 MB
Code RAM: 1 MB
Bus Performance: 132 MBps Burst
 40 MBps Sustained
 Plug & Play per PCI SIG Specification
 32-bit Direct Bus Master
Card Size: 8.5" x 4.25"

SERIAL INTERFACE

Serial Controller: 52 MHz DXI/HDLC Controller
Serial Ports Per Card: 1
Protocol Support: HDLC & TRANSPARENT MODE
DMA Support: Full Duplex DMA
Sync Baud Rates: 34 (E3), 45 (T3) & 52 Mbps (STS-1)
Physical Interface Options: HSSI, V.35, RS422
Telecoms Interface Option: E3, DS3

HSSI Interface

Standard: Per PN-2796 (TIA TR-30.2)
Connector Option: DB26, 50-pin SCSI-2 Connector
Power Requirements: 2.0 Amps @ 5 Volts
 0.2 Amps @ 12 Volts
 0.2 Amps @ -12 Volts
Certification: FCC Class B

ENVIRONMENTAL REQUIREMENTS

Operating Temperature: 0 to 55 degC (32 to 131 degF)
Relative Humidity: To 90% without condensation