

ForeRunner ESA-200EPC EISA Bus ATM Adapter

TECHNICAL SPECIFICATIONS

Operating Systems

- Windows NT 3.5 or 3.51
- Novell Netware 3.12 or 4.x (Servers Only)

PC Types

- Any Fully-Compliant Extended Industry Standard Architecture (EISA) Specification PC or Server

MEMORY REQUIREMENTS

Minimum

- Any 386 DX/33 With 16 Mbytes of Memory

Recommended

- Any 486 DX/2-66 or Better (Pentium Class) With 32 Mbytes of Memory

HARDWARE

Architecture

- On-Board 25 MHz i960[®] RISC Processor

FORE Silicon

- Enhanced SAR Processor (ESP) ASIC Bus ASIC

AAL Support

- Special-Purpose Hardware For AAL5 and AAL3/4, HEC, and CRC Calculations

ABR-Ready

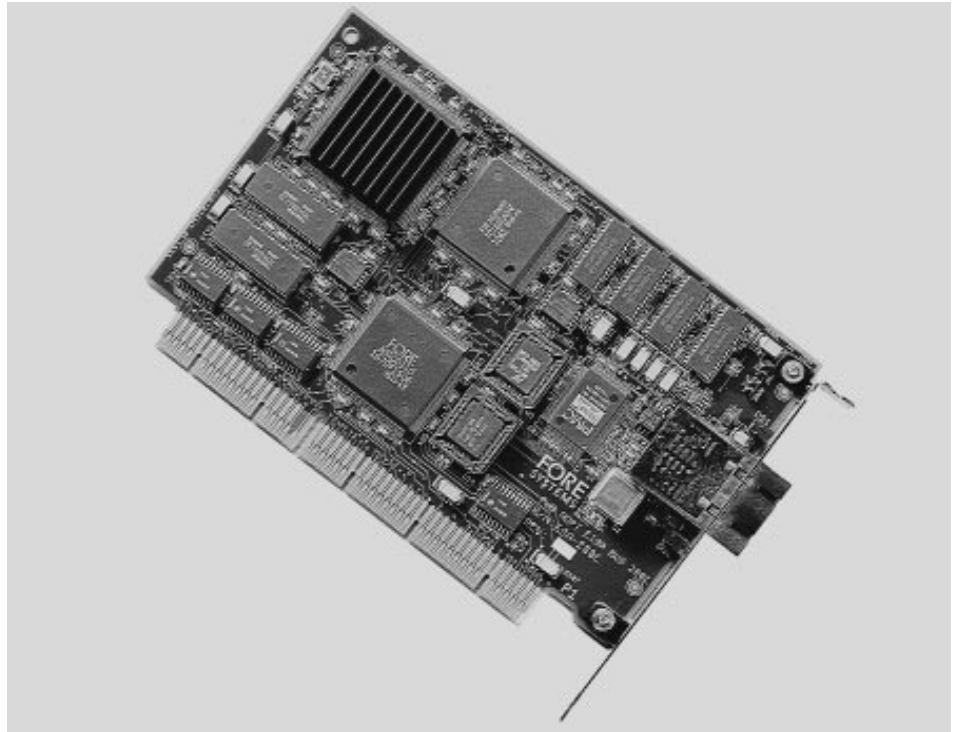
- Supports Explicit Forward Congestion Indication (EFCI) With Future Release of ForeThought Software

Compliance

- ATM Cell Processing Per ANSI
- T1S1.5/92-002R3, ITU I.361, and ATM Forum UNI v3.0 Specification

Cabling

- Duplex 62.5/125 μ Multimode Fiber (2,000 Meters Maximum, 10 dB loss) or 2-pair 100 Ohm



- Category 5, or Category 5 Screened, UTP Cable (100 Meters Maximum)

Connectors

- ST and SC For Multimode Fiber and RJ-45 For Category 5 UTP

Form Factor

- Single-Slot EISA Bus, Half-Card

Memory

- 256 Kbytes On-Board RAM

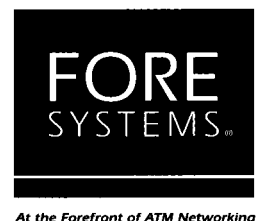
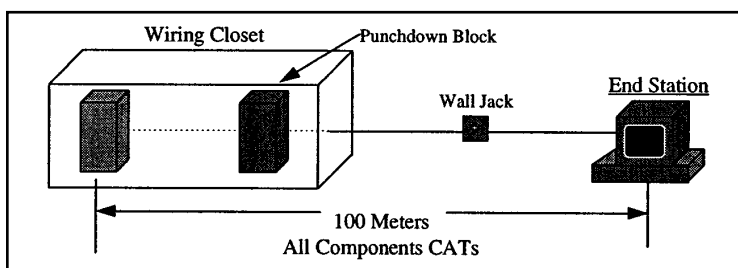
Status LEDs

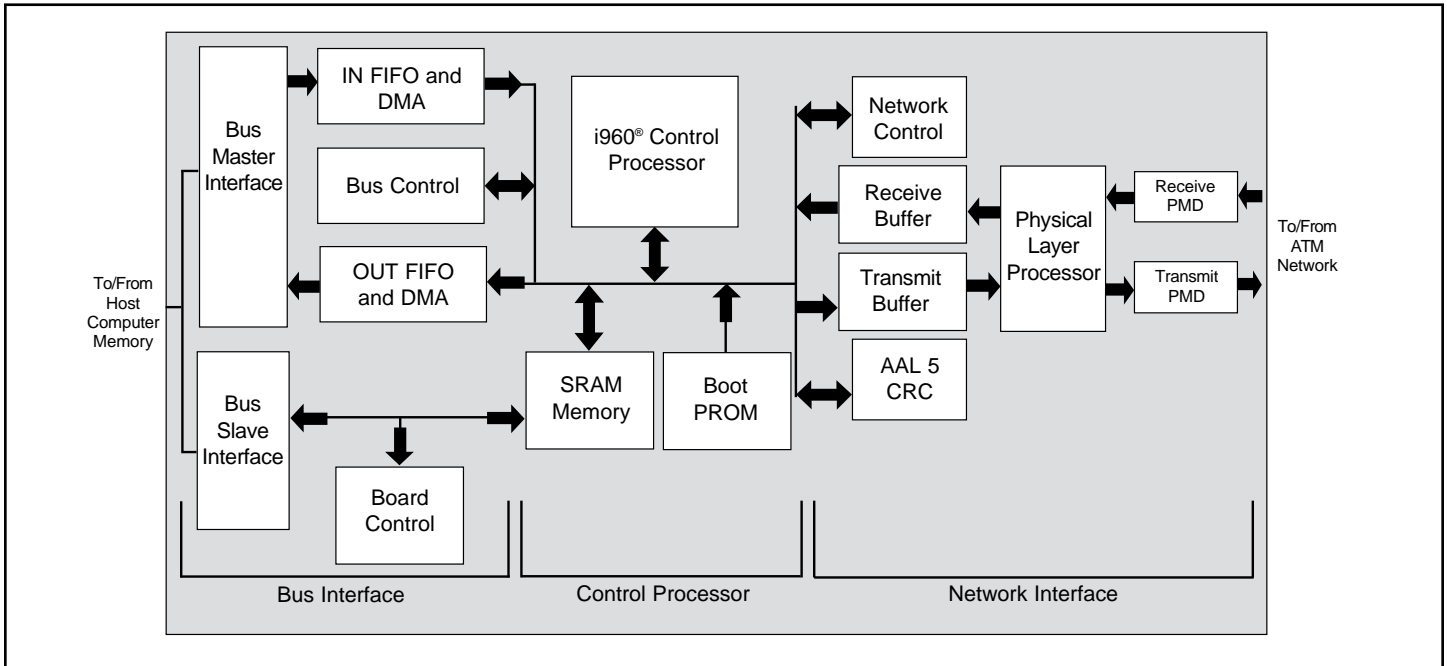
- Transmit:
 - Green is Transmit
 - Off is Idle
 - Yellow is SONET Alarm Condition

CONTACT:

Fore Systems
 174 Thorn Hill Road
 Warrendale, PA 15086-7535
 Phone: (412) 772-6600
 FAX: (412) 772-6500
 WWW: <http://www.fore.com>

Category 5 UTP Installation Distances:





Receive

- Green is Receive
- Off is Idle
- Red is Loss of Carrier

DMA Support

- 32-Bit Burst Mode, Bus Master "Fly-by," Scatter-Gather DMA Support
- Supports Block Transfers Up to 16 Words
- Full 32-Bit Data Path

SOFTWARE

- Transparent Standard Protocol Interface
- NDIS 3.0, ODI Server
- SPANS Switched Virtual Circuits (SVCs) Signaling Protocol
- Permanent Virtual Circuits (PVCs)
- Supports Up to 1024 Virtual Circuit Identifiers (VCIs)

LAN Emulation

ForeThought LAN Emulation Software v0.4 Ethernet and Token Ring Support

Firmware

- Downloadable For Convenient Upgrades

Management

- SNMP MIB Access to Adapter Status, ATM Cell Statistics, Cell Errors, and VPI/VCI Information

GENERAL

Dimensions

- H: 0.6" (1.5 cm) W: 5.0" (12.7 cm) D: 9.4" (23.8 cm)

Weight

- 8.3 oz. (235g)

Power Requirements

- 2 Amps (Maximum) @ +5V

Operating Temperature

- 32F to 104F (0C to 40C)

Operating Humidity

- 20% to 80% non-condensing @ 40C

Compliance

- FCC Part 15, Class A Verification and UL 1950

Device Drivers Included

- Windows NT 3.5 or 3.52
- Novell Netware Server Versions 3.12 and 4.x

WARRANTY INFORMATION

- FORE Systems' Hardware Carries a One-Year Warranty
- FORE Systems' Software Carries a 90-Day Warranty
- ForeMan Extended Support Program Available

ORDERING INFORMATION	
Model#	Description
ESA-200EPC/125A	100 Mbps TAXI Multimode Fiber
ESA-200EPC/OC3ST	155 Mbps Multimode Fiber w/ST Connector
ESA-200EPC/OC3SC	155 Mbps Multimode Fiber w/SC Connector
ESA-200EPC/UTP5	155 Mbps Category 5 UTP Copper w/RJ-45 Connector