

ForeRunner PCA-200PC PCI Bus ATM Adapter

TECHNICAL SPECIFICATIONS

Operating Systems

- Windows NT 3.5 or 3.51
- Novell Netware 3.12 or 4.x (Servers Only)

Machine Types

- Any Fully-Compliant Peripheral Component Interconnect (PCI) Bus

MEMORY REQUIREMENTS

Minimum

- Any 386 DX/33 With 16 Mbytes of Memory

Recommended

- Any 486 DX/2-66 or Better (Pentium Class) With 32 Mbytes of Memory

HARDWARE

Architecture

- On-Board 25 MHz i960® RISC Processor

AAL Support

- Special-Purpose Hardware For AAL5 and AAL3/4, HEC, and CRC Calculations

ABR-Ready

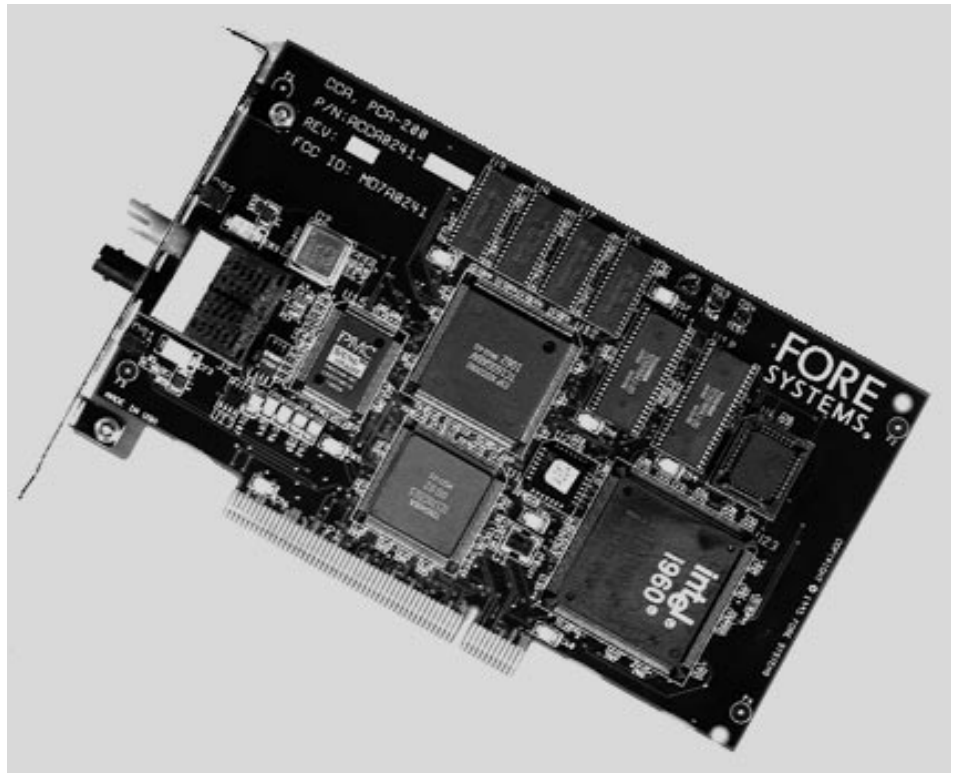
- Supports Explicit Forward Congestion Indication (EFCI) With Future Release of ForeThought Software

Compliance

- ATM Cell Processing Per ANSI T1S1.5/92-002R3, ITU I.361, and ATM Forum UNI v3.0 Specification

Cabling

- Duplex 62.5/125 μ Multimode Fiber (2,000 Meters Maximum, 10 dB Loss) or 2-Pair 100 Ohm Category 5, or Category 5 Screened, UTP Cable (100 Meters Maximum)



Connectors

- ST and SC For Multimode Fiber and RJ-45 For Category 5 UTP

Form Factor

- Single-Slot PCI Bus, Half-Card

Memory

- 256 Kbytes On-Board RAM

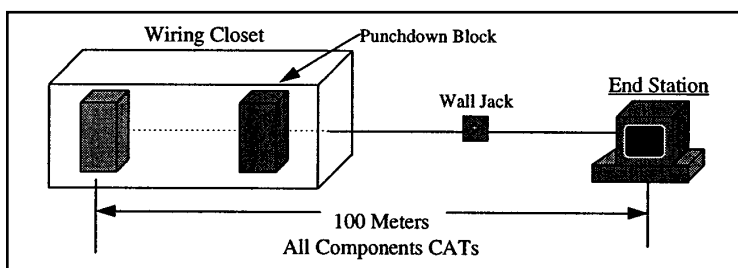
DMA Support

- 32-Bit Burst Mode, Bus Master "Fly-by," Scatter-Gather DMA Support
- Supports Block Transfers Up to 16 Words
- Full 32-Bit Data Path

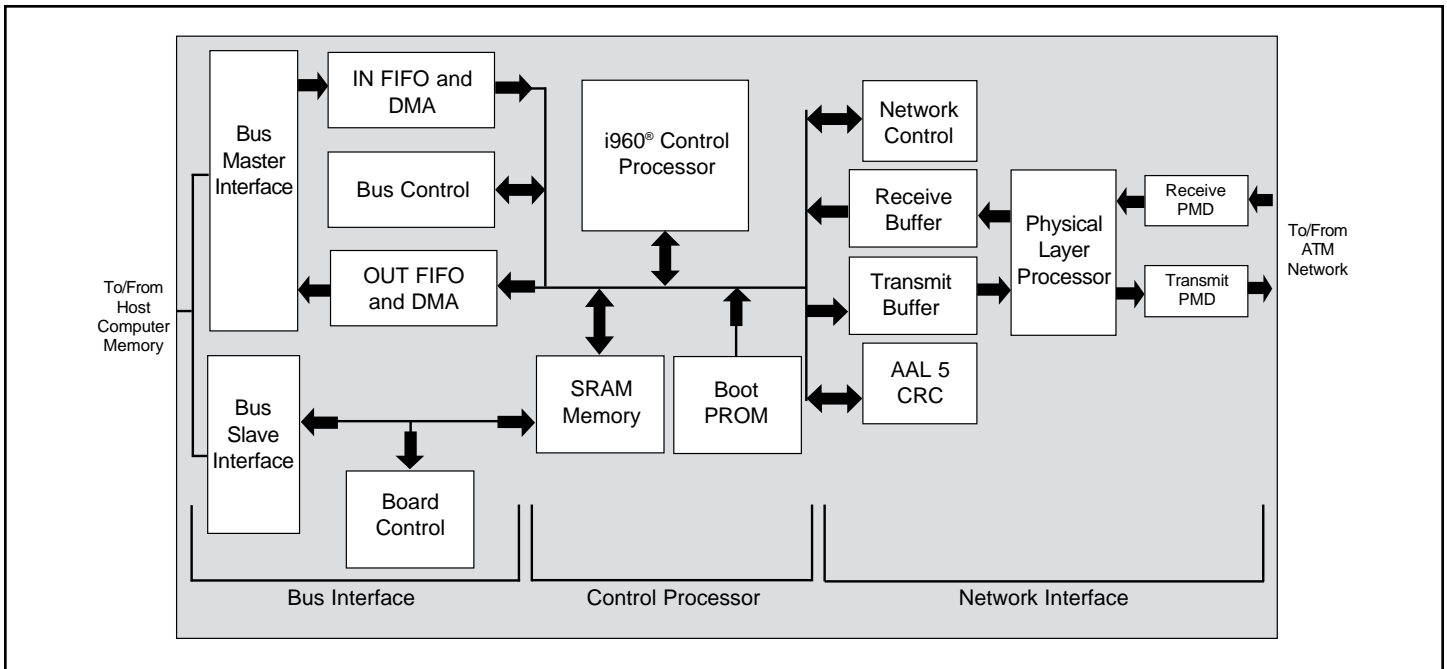
CONTACT:

Fore Systems
174 Thorn Hill Road
Warrendale, PA 15086-7535
Phone: (412) 772-6600
FAX: (412) 772-6500
WWW: <http://www.fore.com>

Category 5 UTP Installation Distances:



At the Forefront of ATM Networking



SOFTWARE

- Transparent Standard Protocol Interface
- NDIS 3.0, ODI Server
- SPANS Switched Virtual Circuits (SVCs) Signaling Protocol
- Permanent Virtual Circuits (PVCs)
- Supports up to 1024 Virtual Circuit Identifiers (VCIs)

LAN Emulation

- ForeThought LAN Emulation Software v0.4 Ethernet and Token Ring Support

Firmware

- Downloadable For Convenient Upgrades

Management

- SNMP MIB Access to Adapter Status, ATM Cell Statistics, Cell Errors, and VPI/VCI Information

GENERAL

Dimensions

- H: 0.5" (1.3 cm) W: 3.3" (8.4 cm)
D: 5.8" (14.7 cm)

Weight

- 6 oz. (235g)

Power Requirements

- 2 Amps (Maximum) @ +5V

Operating Temperature

- 32F to 104F (0C to 40C)

Operating Humidity

- 20% to 80% Non-Condensing @ 40C

Compliance

- FCC Part 15, Class A Verification and UL 1950

Device Drivers Included

- Windows NT 3.5 or 3.52
- Novell Netware Server Versions 3.12 and 4.x

WARRANTY INFORMATION

- FORE Systems' Hardware Carries a One-Year Warranty
- FORE Systems' Software Carries a 90-Day Warranty
- ForeMan Extended Support Program Available

ORDERING INFORMATION	
Model#	Description
PCA-200PC/125A	100 Mbps TAXI Multimode Fiber
PCA-200PC/OC3ST	155 Mbps Multimode Fiber w/ST Connector
PCA-200PC/OC3SC	155 Mbps Multimode Fiber w/SC Connector
PCA-200PC/UTP5	155 Mbps Category 5 UTP Copper w/RJ-45 Connector