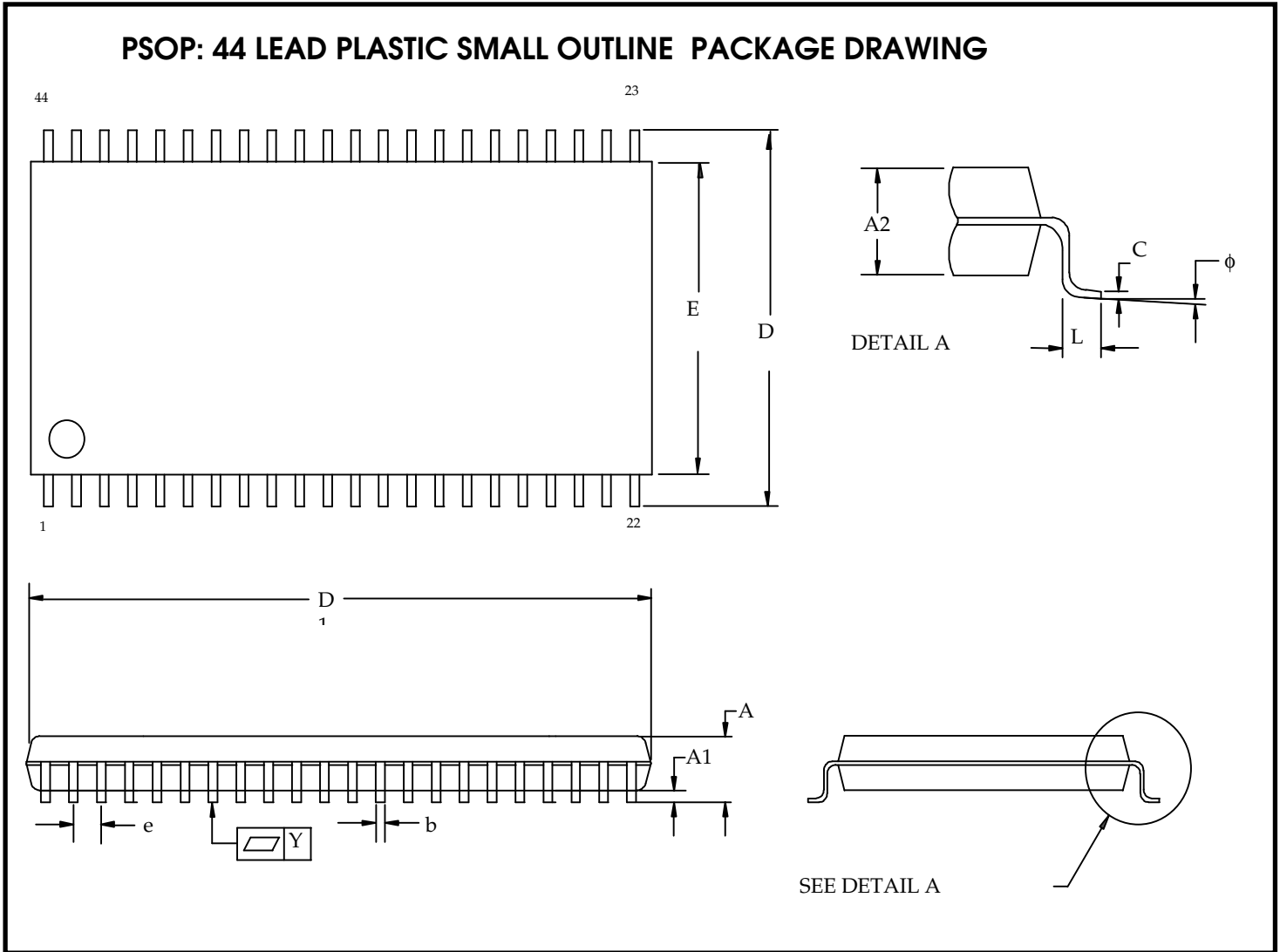


PSOP: 44 LEAD PLASTIC SMALL OUTLINE PACKAGE DRAWING



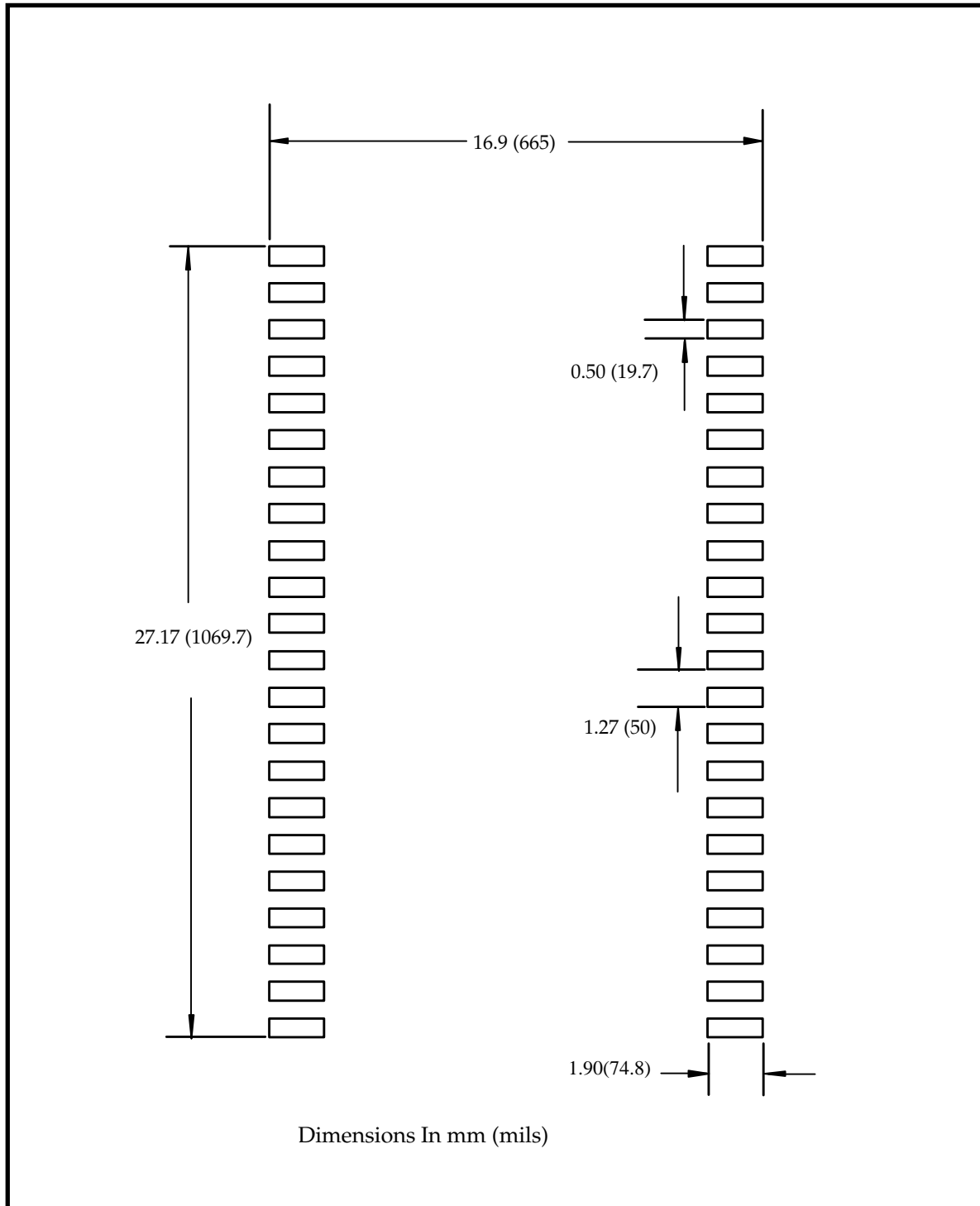
44 Lead PSOP Specifications

	Symbol	Millimeters			Notes	Inches			Notes
		Min	Nom	Max		Min	Nom	Max	
Package Height	A			2.95				0.116	
Standoff	A1	0.50				0.020			
Package Body Thickness	A2	2.20	2.30	2.40		0.087	0.091	0.094	
Lead Width	b	0.35	0.40	0.50		0.014	0.016	0.020	
Lead Thickness	c	0.13	0.15	0.20		0.005	0.006	0.008	
Package Body Length	D1	28.00	28.20	28.40		1.102	1.110	1.118	
Package Body Width	E	13.100	13.30	13.50		0.516	0.524	0.531	
Pitch	e		1.27				0.050		
Terminal Dimension	D	15.75	16.00	16.25		0.620	0.630	0.640	
Lead Tip Length	L	0.75	0.80	0.85		0.030	0.031	0.033	
Lead Count	N		44				44		
Lead Tip Angle	ϕ			8				8	
Seating Plane Coplanarity	Y			0.10				0.004	



PSOP Board Footprints

A typical land pad diagram for the 44 lead PSOP package is shown.



Typical PSOP Land Pad Diagram