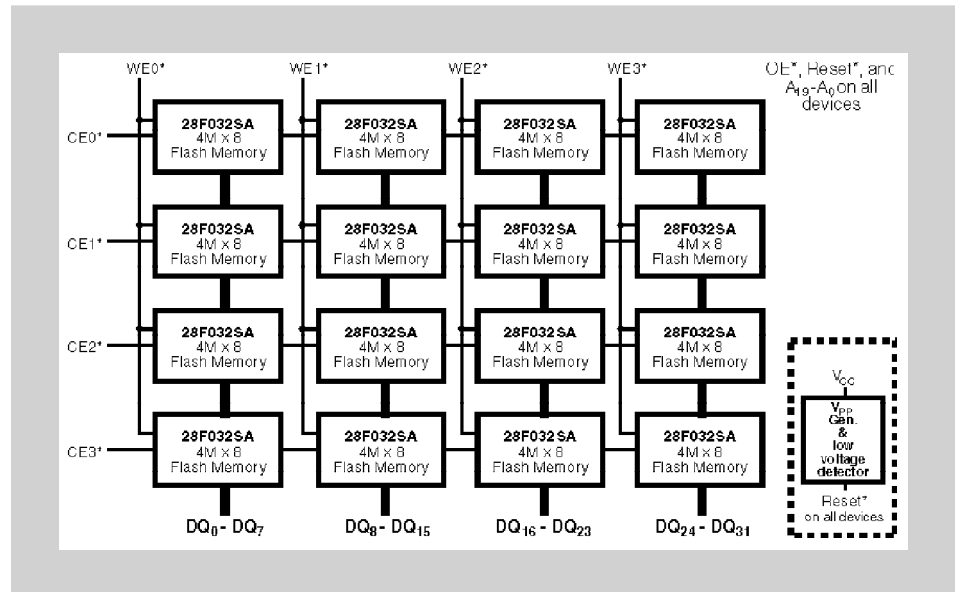


## 8/16/32 Mbyte – 2/4/8 Mx32 – 26-1004-XX Series

- JEDEC-standard 80 pin Flash SIMM Module
- Uses standard Intel 16-Mbit and 32-Mbit flash devices, with 5V only at the card edge ( $V_{pp}$  generated on board)
- Fast 90 or 120ns read access time
- 3.3V or 5.0V operation ( $\pm 10\%$ )
- No separate programming voltage required (generated on board)
- Built-in write-protect reset during power changes (versions available for user-supplied reset signal)
- Compact design - 1.25 inch height
- TTL-compatible inputs and outputs
- Low 550mW operating power (typical)
- Ceramic decoupling capacitors at each Flash device



The 1st TECH 26-1004-XX and 26-1005-XX families of 80 pin flash memory SIMM modules provide compact industry standard non-volatile memory in modular upgradable form. The series includes 8, 16, 32 and 64 Mbyte versions, each utilizing the latest in Intel Flash memory technology. The necessary  $V_{pp}$  for programming is generated internally.

Options are available that provide a reset signal to protect data during power transitions, or allow a reset signal to be applied externally.

The modules are organized as 2MBx32, 4MBx32, 8MBx32, 16MBx32 and can access data in either 90 or 120ns.

All modules in this family are fabricated with eight layer printed circuit board (PCB) substrate construction and low-ESR decoupling capacitors for high reliability and low noise.

INTEL FLASH MEMORY  
SUPPORTED:  
28F016SA, 28F016SV, 28F032SA

AVAILABILITY:  
Now

CONTACT:  
1st TECH Corporation  
12201 Technology Boulevard, Suite 130  
Austin, TX 78727  
Phone: (512) 258-3570  
FAX: (512) 258-3689  
Email: firstech@mail.eden.com