

4/8 Mbyte – 1/2 Mx32 – 20-100-XX

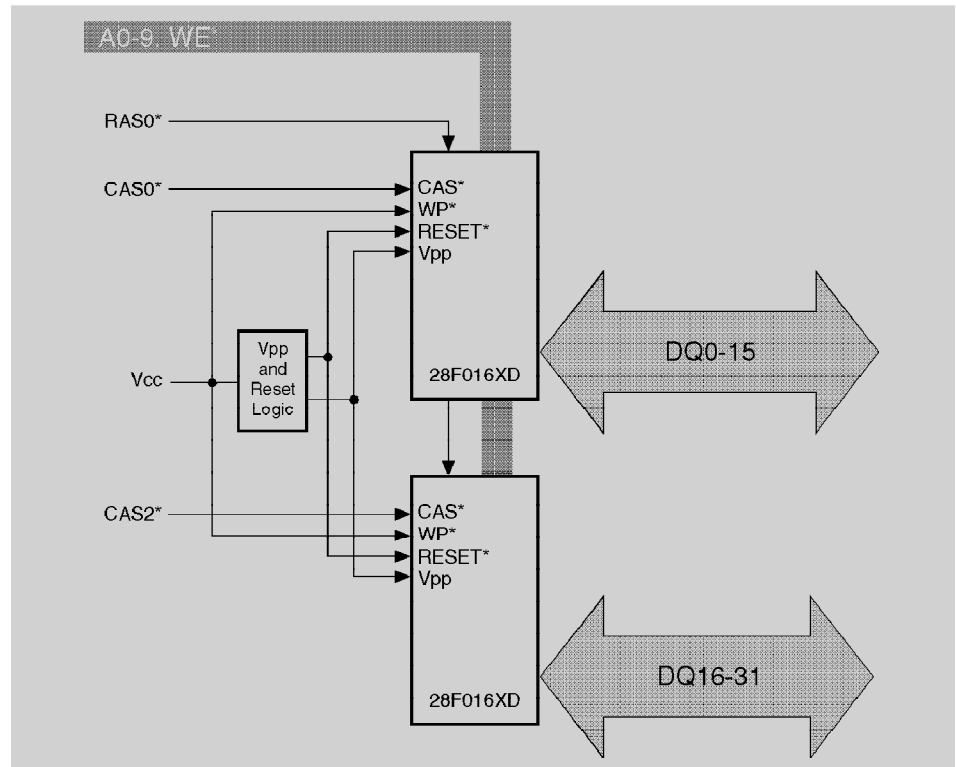
- JEDEC-standard 72-pin DRAM SIMM pinout
- Uses Intel 28F016XD 16-Mbit DRAM-interface flash memory
- 3.3V and 5V operation ($\pm 10\%$)
- Fast 85ns random access time at 5V; 95ns at 3.3V
- Supports standard and page mode access
- Optional 12V V_{pp} programming for optimum write/erase timing
- Built-in write protection during power fluctuations
- Compact design - 1.00 inch height
- Compatible with existing DRAM sockets and controllers
- Low noise six-layer substrate construction available with gold or tin card edge fingers

The 1st TECH 20-100-XX product family of Flash SIMM memory modules provide compact industry standard non-volatile memory organized as 1MBx32 or 2MBx32. The interface operates as a DRAM device and is compatible with most DRAM controllers and systems.

The modules can operate at 3.3V for low power consumption or at 5V for optimum access times. Optional on-board circuitry provides 12V V_{pp} for optimum write/erase times. Applications with occasional write cycles can utilize 5V V_{pp} .

Flash SIMMs with DRAM interface provide strong performance, ease of use and power advantages over the common DRAM and disk-drive combination.

The 20-100-XX series operates with most DRAM controllers; consult controller specifications to insure correct operation.



INTEL FLASH MEMORY
SUPPORTED:
28F016XD

AVAILABILITY:
Now

CONTACT:
1st TECH Corporation
12201 Technology Boulevard, Suite 130
Austin, TX 78727
Phone: (512) 258-3570
FAX: (512) 258-3689
Email: fristech@mail.eden.com