



EMULATION TECHNOLOGY, INC.

Specification Number: M4229

PROGRAMMING ADAPTER SPECIFICATION

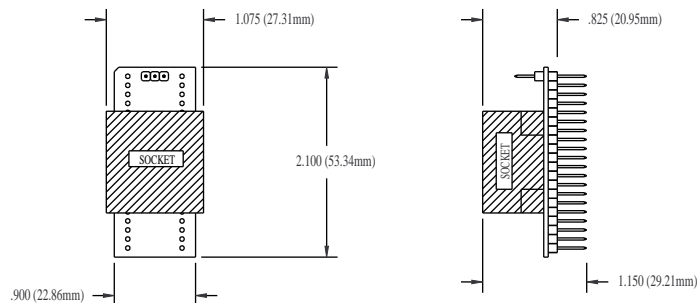
Item: 404001BG0636YAM

Description: AS-40-40-01-4BG063-6YAM

REPLACEMENT SOCKET: S-BGA-00-040-A

Call Emulation Technology for a replacement socket price and delivery quote.

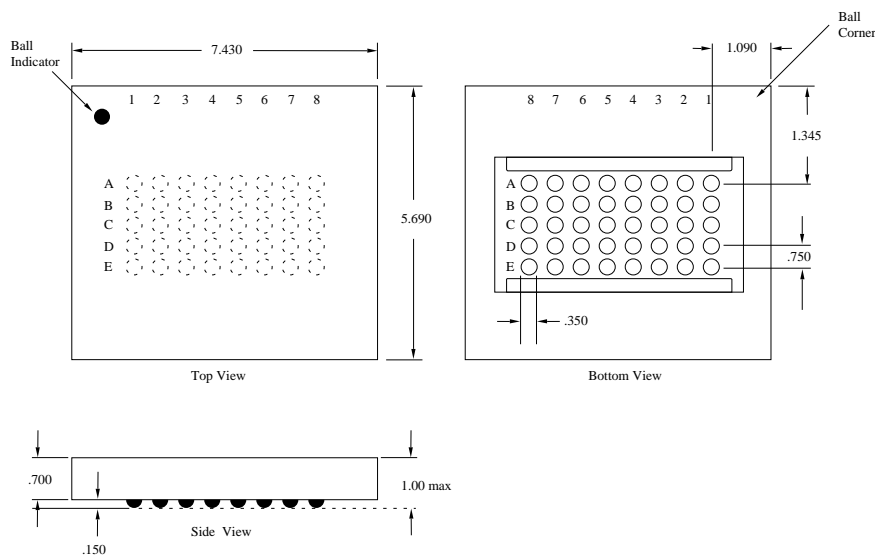
TYPICAL DIMENSIONS:



All Dimensions in Inches.

(Assembly Drawing: F4229)

PACKAGE SPECIFICATIONS:



All Dimensions in Millimeters.

ET Code: 048-TS01

CONNECTION TABLE:

40-Lead TSOP SOCKET	PIN Names	40-Pin DIP Base
1	V _{pp}	A5
2	CE#	B5
3	RP#	A6
4	RY/BY#	C2
5	-	-
6	NC	C4
7	A20	C1
8	A19	C3
9	A18	B1
10	A17	A1
11(L2)	GND ²	D4(L2)
12	DQ7	E2
13	DQ6	D2
14	DQ5	E3
15	DQ4	D3
16	DQ3	D5
17	DQ2	E6
18	DQ1	D6
19	DQ0	E7
20	OE#	E1
21	A0	D7
22	A1	E8
23	A2	D8
24	A3	C6
25	A4	C8
26	A5	C7
27	A6	B8
28	A7	A8
29	A8	C5
30(L5)	GND ²	E5(L5)
31	A9	A7
32	A10	B7
33	A11	B6
34	A12	A3
35	A13	B4
36	A14	B3
37	A15	A2
38	A16	B2
39	WE#	D1
40(L3&4)	V _{cc} /V _{ccq} ¹	A4/E4(L3/4)

Compatible BGA devices:
 GU28F0083 GU28F016SC3
 GU28F0085 GU28F016SC5

Manufacturers:
 Intel



EMULATION TECHNOLOGY, INC.

2344 WALSH AVENUE • BUILDING F
 SANTA CLARA, CA 95051-1301
 TEL 408 / 982.0660 • FAX 408 / 982.0664

Call today for a FREE Full Line Catalog
 and Unlimited Application Consulting!