



EMULATION TECHNOLOGY, INC.

Specification Number: M4228

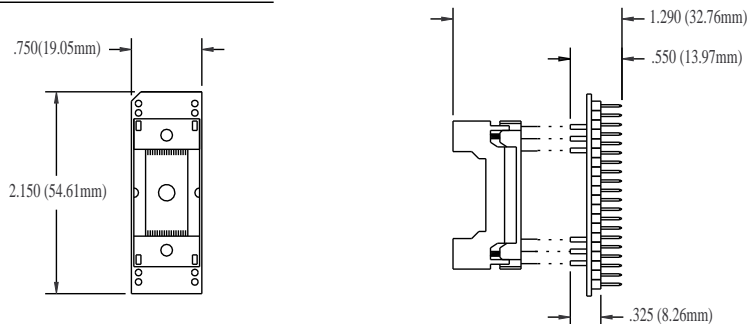
PROGRAMMING ADAPTER SPECIFICATION

Item: 404008TS600YAMS
Description: AS-40-40-08TS-6YAM-S

REPLACEMENT SOCKET: S-TSO-00-040-A

Call Emulation Technology for a replacement socket price and delivery quote.

TYPICAL DIMENSIONS:



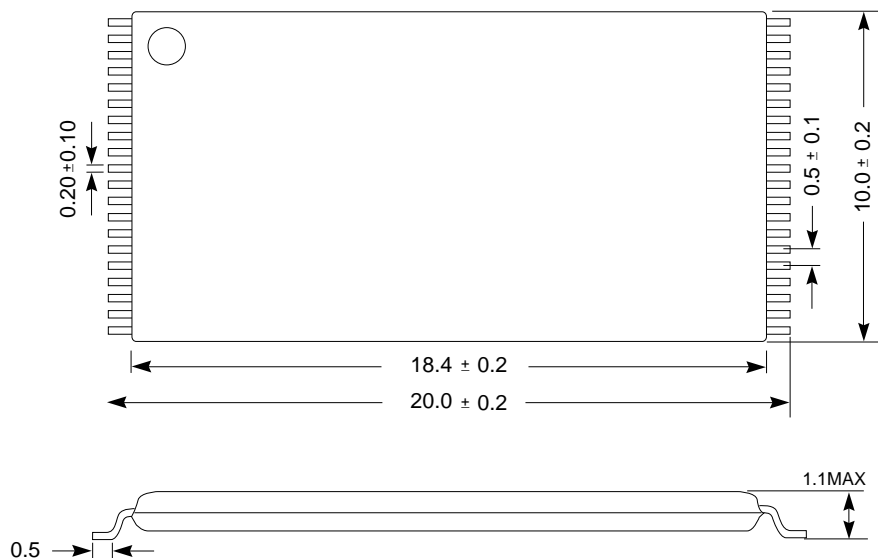
All Dimensions in Inches.

(Assembly Drawing: F4228)

CONNECTION TABLE:

| 40-Lead TSOP SOCKET | PIN Names | 40-Pin DIP Base |
|------------------------|--|--------------------|
| 1 | V _{pp} | 11 |
| 2 | CE# | 22 |
| 3 | WP# | 12 |
| 4 | - | - |
| 5 | RP# | 10 |
| 6 | NC | 29 |
| 7 | A20 | 38 |
| 8 | A19 | 37 |
| 9 | A18 | 13 |
| 10 | A17 | 40 |
| 11 | GND ² | 23 |
| 12 | DQ7 | 35 |
| 13 | DQ6 | 34 |
| 14 | DQ5 | 33 |
| 15 | DQ4 | 32 |
| 16 | DQ3 | 28 |
| 17 | DQ2 | 27 |
| 18 | DQ1 | 26 |
| 19 | DQ0 | 25 |
| 20 | OE# | 24 |
| 21 | A0 | 21 |
| 22 | A1 | 20 |
| 23 | A2 | 19 |
| 24 | A3 | 18 |
| 25 | A4 | 17 |
| 26 | A5 | 16 |
| 27 | A6 | 15 |
| 28 | A7 | 14 |
| 29 | A8 | 8 |
| 30 | GND ² | 39 |
| 31 | A9 | 7 |
| 32 | A10 | 36 |
| 33 | A11 | 6 |
| 34 | A12 | 5 |
| 35 | A13 | 4 |
| 36 | A14 | 3 |
| 37 | A15 | 2 |
| 38 | A16 | 1 |
| 39 | WE# | 9 |
| 40 | V _{cc} /V _{ccq} ¹ | 30/31 |

PACKAGE SPECIFICATIONS:



All Dimensions in Millimeters.

ET Code: 040-TS01

Compatible TSOP devices:

E28F004B3 E28F016B3
E28F008B3

Manufacturers:

Intel



EMULATION TECHNOLOGY, INC.

2344 WALSH AVENUE • BUILDING F
SANTA CLARA, CA 95051-1301
TEL 408 / 982.0660 • FAX 408 / 982.0664

Call today for a FREE Full Line Catalog
and Unlimited Application Consulting!