



EMULATION TECHNOLOGY, INC.

Specification Number: M4226

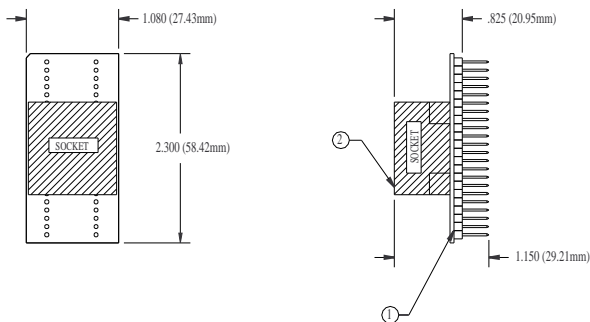
PROGRAMMING ADAPTER SPECIFICATION

Item: 484401BG0616YAM
Description: AS-48-44-01-4BG061-6YAM

REPLACEMENT SOCKET: S-BGA-00-040-A

Call Emulation Technology for a replacement socket price and delivery quote.

TYPICAL DIMENSIONS:



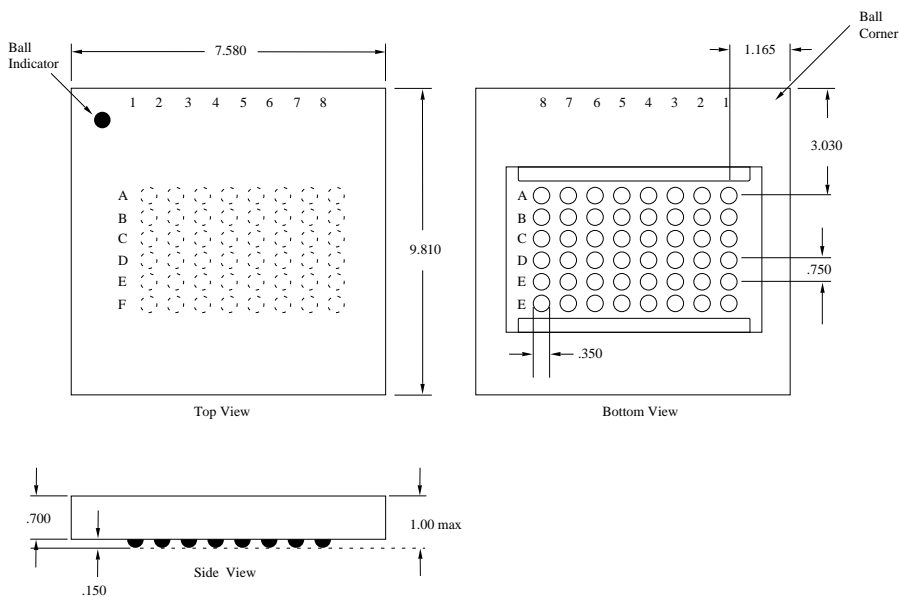
All Dimensions in Inches.

(Assembly Drawing: F4226)

CONNECTION TABLE:

48-Lead TSOP SOCKET	PIN Names	44-Pin DIP Base
1	RP#	12
2	CE#	26
3	Vpp	13
4	WE#	11
5	DQ15	45
6	DQ14	43
7	DQ13	41
8	DQ12	39
9	DQ11	36
10	DQ10	34
11	DQ9	32
12	DQ8	30
13	GND ²	27
14	DQ7	44
15	DQ6	42
16	DQ5	40
17	DQ4	38
18	DQ3	35
19	DQ2	33
20	DQ1	31
21	DQ0	29
22	OE#	28
23	A0	25
24	A1	24
25	A2	23
26	A3	22
27	A4	21
28	A5	20
29	A6	19
30	A7	18
31	A8	8
32	GND _Q ²	46
33	A9	7
34	A10	6
35	A11	5
36	A12	4
37	A13	3
38	A14	2
39	A15	1
40	A16	48
41	A17	17
42	Vcc/Vccq ¹	37/47
43	A19	15
44	A18	16

PACKAGE SPECIFICATIONS:



All Dimensions in Millimeters.

Compatible BGA devices:
TE28F160B3 TE28F800B3
TE28F400B3

Manufacturers:
Intel



EMULATION TECHNOLOGY, INC.

2344 WALSH AVENUE • BUILDING F
SANTA CLARA, CA 95051-1301
TEL 408 / 982.0660 • FAX 408 / 982.0664

Call today for a FREE Full Line Catalog
and Unlimited Application Consulting!