



EMULATION TECHNOLOGY, INC.

Specification Number: M4059

# PROGRAMMING ADAPTER SPECIFICATION

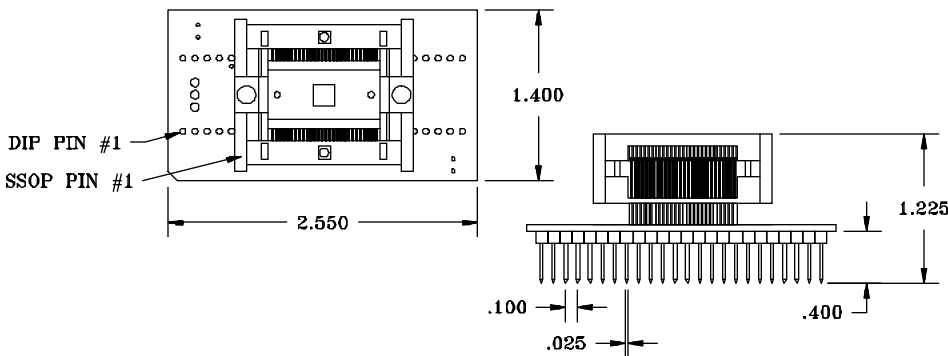
Item: 564802SS600-TI

Description: AS-56-48-02SS-6TI

## REPLACEMENT SOCKET: S-SSO-00-056-C

Call Emulation Technology for a replacement socket price and delivery quote.

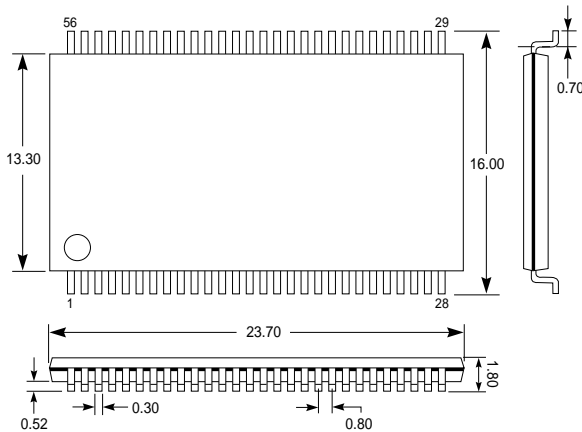
## TYPICAL DIMENSIONS:



All Dimensions in Inches.

(Assembly Drawing: F3278)

## PACKAGE SPECIFICATIONS:



All Dimensions in Millimeters.

ET Code: 056-SS09

### Notes:

1. SSOP pins 1 (CE0#) and 7 (CE1#) are tied together on the interposer board.
2. SSOP pin 23 (WP#) ties to a center jumper post; it can be jumpered to either a post tied to V<sub>CC</sub> plane 3. pin 48 or a post connected to V<sub>CC</sub> plane 3.
3. SSOP pins 14, 42 (V<sub>CC</sub>), 55 (RP#) & 36 (BYTE#) and DIP connection 44 (V<sub>CC</sub>) are tied to V<sub>CC</sub> plane 3. SSOP pin 28 and DIP connection 44 (V<sub>CC</sub>) are tied to V<sub>CC</sub> plane 4.
4. SSOP pins 15 & 44 (GND) and DIP connection 15 (GND) are tied to GND plane 2. SSOP pin 29 (GND) and DIP connection 34 (GND) are tied to GND plane 5.
5. SSOP pins 37 (A0) and 20 (RY/BY#) are not connected to DIP translation.

### Compatible SSOP device:

DA28F016XS

### Programmers:

**B&C Microsystems:** Proteus(UPLC88/72/68/48)  
**BP Microsystems:** BP-2100(SM48D), BP-1200(SM48D), BP-1148  
**Data I/O:** ChipLab-48  
**Emulation Technology, Inc.:** ET-PIC 4000/48  
**Logical Devices:** AllPro-88XR/88

### Manufacturer:

Intel

## CONNECTION TABLE:

56-Lead SSOP SOCKET	PIN Names	48-Pin DIP Base
1	CE0# <sup>1</sup>	6
2	A12	37
3	A13	41
4	A14	39
5	A15	40
6	3/5#	45
7	CE1# <sup>1</sup>	6
8	NC/A21	47
9	A20	2
10	A19	3
11	A18	4
12	A17	42
13	A16	41
14	V <sub>CC</sub> (Plane 3) <sup>3</sup>	44
15	GND (Plane 2) <sup>4</sup>	15
16	DQ6	17
17	DQ14	8
18	DQ7	16
19	DQ15	7
20	RY/BY <sup>5</sup>	NO TRACE
21	OE#	24
22	WE#	43
23	WP# <sup>2</sup>	48/V <sub>CC</sub> Plane 3
24	DQ13	9
25	DQ5	18
26	DQ12	10
27	DQ4	19
28	V <sub>CC</sub> (Plane 4) <sup>3</sup>	44
29	GND (Plane 5) <sup>4</sup>	34
30	DQ11	11
31	DQ3	20
32	DQ10	12
33	DQ2	21
34	CLK	46
35	ADV#	1
36	BYTE# <sup>3</sup>	V <sub>CC</sub> Plane 3
37	A0 <sup>5</sup>	NO TRACE
38	DQ0	23
39	DQ8	14
40	DQ1	22
41	DQ9	13
42	V <sub>CC</sub> (Plane 3) <sup>3</sup>	44
43	A8	32
44	GND (Plane 2) <sup>4</sup>	15
45	A7	31
46	A6	30
47	A5	29
48	A4	28
49	A3	27
50	A2	26
51	A1	25
52	A9	33
53	A10	35
54	A11	36
55	RP# <sup>3</sup>	V <sub>CC</sub> Plane 3
56	V <sub>PP</sub>	5



EMULATION TECHNOLOGY, INC.

2344 WALSH AVENUE • BUILDING F  
SANTA CLARA, CA 95051-1301

TEL 408 / 982.0660 • FAX 408 / 982.0664

Call today for a FREE Full Line Catalog and Unlimited Application Consulting!

Page 1 of 1

Date: 10/24/96

Rev: A

The Emulation Technology logo is a registered trademark of Emulation Technology, Inc.