



EMULATION TECHNOLOGY, INC.

Specification Number: M3272

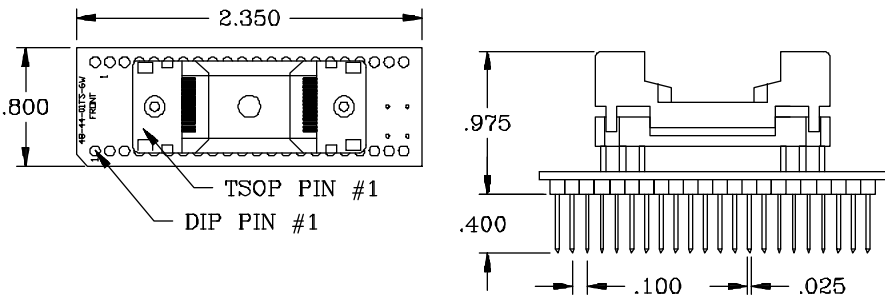
# PROGRAMMING ADAPTER SPECIFICATION

Item: 484401TS600WELS  
Description: AS-48-44-01TS-6WEL-S

## REPLACEMENT SOCKET: S-TSO-00-048-B

Call Emulation Technology for a replacement socket price and delivery quote.

## TYPICAL DIMENSIONS:



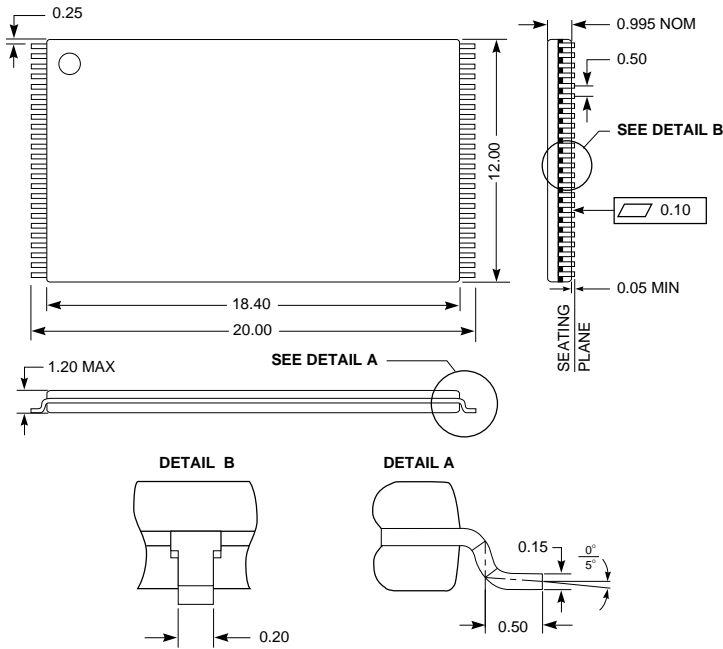
All Dimensions in Inches.

(Assembly Drawing: F3272)

## CONNECTION TABLE:

48-Lead TSOP SOCKET	PIN Names	44-Pin DIP Base
1	A15	39
2	A14	38
3	A13	37
4	A12	36
5	A11	35
6	A10	34
7	A9	33
8	A8	31
9	NC	NO TRACE
10	NC	NO TRACE
11	WE#	4
12	RP#	1
13	V <sub>PP</sub>	3
14	WP#	V <sub>CC</sub> Plane
15	NC	NO TRACE
16	NC/A18	44
17	NC/A17	41
18	A7	30
19	A6	29
20	A5	28
21	A4	27
22	A3	26
23	A2	25
24	A1	24
25	A0	23
26	CE#	2
27	GND	13 & 32
28	OE#	22
29	DQ0	21
30	DQ8	12
31	DQ1	20
32	DQ9	11
33	DQ2	19
34	DQ10	10
35	DQ3	18
36	DQ11	9
37	V <sub>CC</sub>	42
38	DQ4	17
39	DQ12	8
40	DQ5	16
41	DQ13	7
42	DQ6	15
43	DQ14	6
44	DQ7	14
45	DQ15/A-1	5
46	GND	13 & 32
47	BYTE#	43
48	A16	40

## PACKAGE SPECIFICATIONS:



LEAD PITCH = .50mm/.02"

All Dimensions in Millimeters.

ET Code: 048-TS01

### Compatible TSOP devices:

E28F200B5 E28F400B5 E28F800B5  
 E28F200CE E28F400CE E28F800CE  
 E28F200CV E28F400CV E28F800CV

### Programmers:

**B&C Microsystems:** Proteus(UPLC88/72/68/48)  
**BP Microsystems:** BP-1200(SM48D)  
**Logical Devices:** AllPro-88XR/88

### Manufacturer:

Intel



EMULATION TECHNOLOGY, INC.

2344 WALSH AVENUE • BUILDING F  
SANTA CLARA, CA 95051-1301

TEL 408 / 982.0660 • FAX 408 / 982.0664