



EMULATION TECHNOLOGY, INC.

Specification Number: M3270

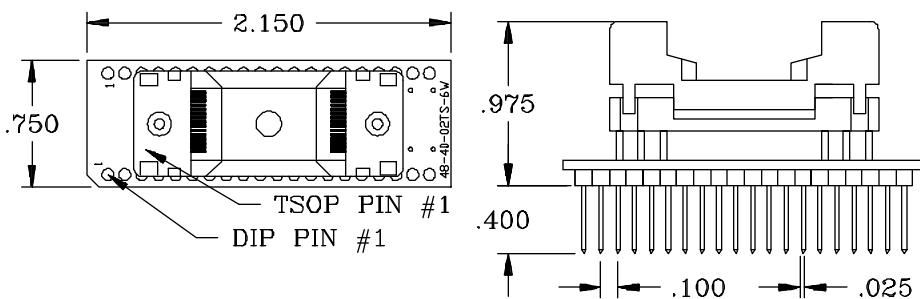
# PROGRAMMING ADAPTER SPECIFICATION

Item: 484002TS600WELS  
Description: AS-48-40-02TS-6WEL-S

## REPLACEMENT SOCKET: S-TSO-00-048-B

Call Emulation Technology for a replacement socket price and delivery quote.

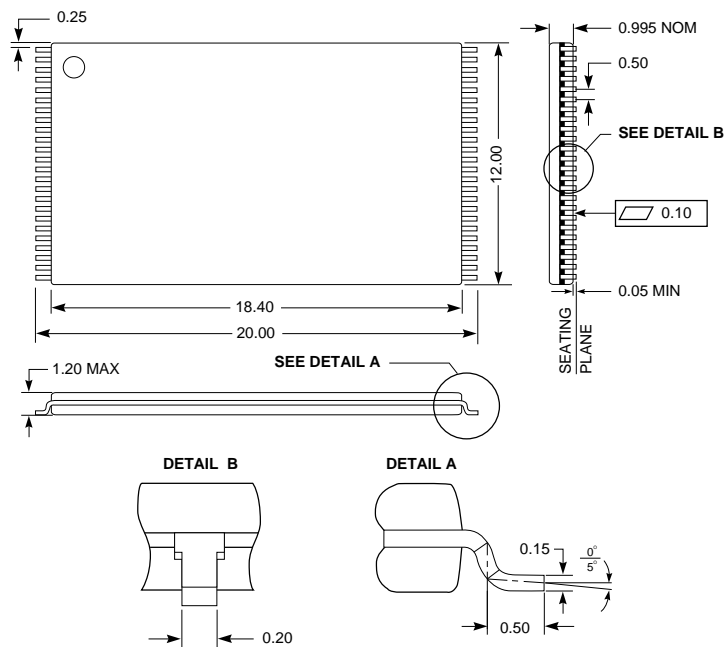
## TYPICAL DIMENSIONS:



All Dimensions in Inches.

(Assembly Drawing: F3270)

## PACKAGE SPECIFICATIONS:



LEAD PITCH = .50mm/.02"

All Dimensions in Millimeters.

ET Code: 048-TS01

### Compatible TSOP devices:

E28F200CV E28F400CV E28F800CV  
E28F200CE E28F400CE E28F800CE  
E28F200B5 E28F400B5 E28F800B5

Manufacturer:  
Intel

### Programmers:

Aval Data: PKW-5100  
B&C Microsystems: Proteus(UP40, GEP8/16)  
Bytek: EZ-FT  
Elan: 6000, 4000/5000 TURBO,  
and 3000/4000/5000

## CONNECTION TABLE:

48-Lead TSOP SOCKET	PIN Names	40-Pin DIP Base
1	A15	38
2	A14	37
3	A13	36
4	A12	35
5	A11	34
6	A10	33
7	A9	32
8	A8	31
9	NC	NO TRACE
10	NC	NO TRACE
11	WE#	39
12	RP#	5
13	V <sub>PP</sub>	1
14	WP#	V <sub>CC</sub> Plane
15	NC	NO TRACE
16	NC/A18	8
17	NC/A17	9
18	A7	29
19	A6	28
20	A5	27
21	A4	26
22	A3	25
23	A2	24
24	A1	23
25	A0	22
26	CE#	2
27	GND	11 & 30
28	OE#	20
29	DQ0	19
30	DQ8	NO TRACE
31	DQ1	18
32	DQ9	NO TRACE
33	DQ2	17
34	DQ10	NO TRACE
35	DQ3	16
36	DQ11	NO TRACE
37	V <sub>CC</sub>	40
38	DQ4	15
39	DQ12	NO TRACE
40	DQ5	14
41	DQ13	NO TRACE
42	DQ6	13
43	DQ14	NO TRACE
44	DQ7	12
45	DQ15/A-1	21
46	GND	11 & 30
47	BYTE#	GND Plane
48	A16	10
NO TRACE	NC	3
NO TRACE	NC	4
NO TRACE	NC	6
NO TRACE	NC	7



EMULATION TECHNOLOGY, INC.

2344 WALSH AVENUE • BUILDING F  
SANTA CLARA, CA 95051-1301  
TEL 408 / 982.0660 • FAX 408 / 982.0664

Call today for a FREE Full Line Catalog  
and Unlimited Application Consulting!

Page 1 of 1  
Date: 10/7/96  
Rev: D

The Emulation Technology logo is a registered trademark of Emulation Technology, Inc.