



EMULATION TECHNOLOGY, INC.

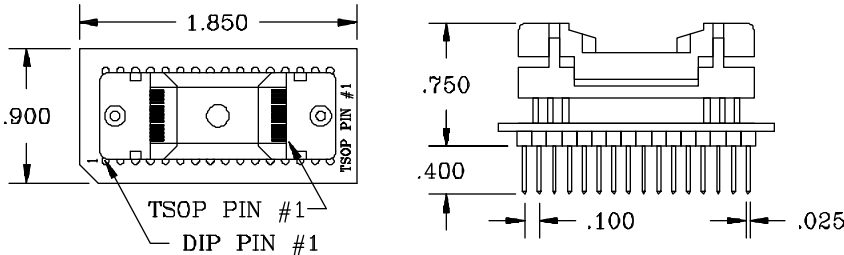
# PROGRAMMING ADAPTER SPECIFICATION

Item: 323201TS600ENPR  
Description: AS-32-32-01TS-6ENP-GANG-R

## REPLACEMENT SOCKET: S-TSO-00-032-A

Call Emulation Technology for a replacement socket price and delivery quote.

### TYPICAL DIMENSIONS:

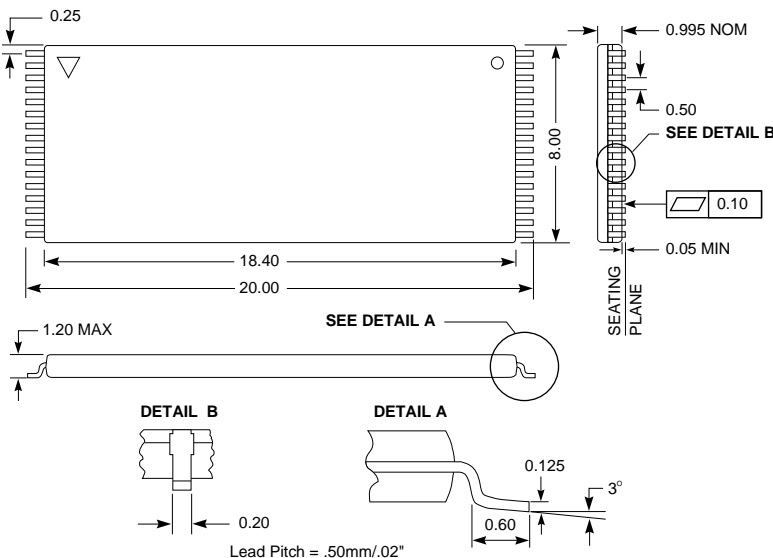


All Dimensions in Inches. (Assembly Drawing: F1705)

### CONNECTION TABLE:

32-Lead TSOP SOCKET	PIN Names	32-Pin DIP Base
1	OE#	24
2	A10	23
3	CE#	22
4	DQ7	21
5	DQ6	20
6	DQ5	19
7	DQ4	18
8	DQ3	17
9	V <sub>SS</sub> (GND)	16
10	DQ2	15
11	DQ1	14
12	DQ0	13
13	A0	12
14	A1	11
15	A2	10
16	A3	9
17	A4	8
18	A5	7
19	A6	6
20	A7	5
21	A12	4
22	A15	3
23	A16	2
24	V <sub>PP</sub>	1
25	V <sub>CC</sub>	32
26	WE#	31
27	NC/A17	30
28	A14	29
29	A13	28
30	A8	27
31	A9	26
32	A11	25

### PACKAGE SPECIFICATIONS:



All Dimensions in Millimeters. ET Code: 032-TS01

### Compatible TSOP devices:

F28F010  
F28F020

### Manufacturers:

Intel

### Programmers:

**Advin Systems:** Pilot-U84/40/32, Pilot-145/4/3, Pilot-800(GM-832D), and Pilot-GE/GCE

**Advantest:** R4945, R4951, R4952

**Aval Data:** PKW-5100/3100/2100/1100

**B&C Microsystems:** Proteus

**BP Microsystems:** BP-1200, EP-1140, EP-1132

**Bytek:** 135HFT, MultiTRK-X000, EZ-FT, 832FT

**Data I/O:** ChipLab-32/48, 29B, 2900, 3900, UniSite(Site 40/48), AutoSite E, S1000(SR40), PSX1000/500(MEMORYRAIL, SR40),212, 288/A

**E.E. Tools:** AllMax, AllMax+, ProMax

**Emulation Technology, Inc.:** ET-PIC 4000/32/48 and ET-PIC 1000/48

**Elan:** 6000, 4000/5000 TURBO, 3000/4000/5000

**Minato:** 1890A, 1891/2, 1910, 1930

**Needham's Electronics:** EMP20

**Logical Devices:** AllPro-88XR/88/40, Chipmaster 3000, GangPro SII/SE/8+, and 932(Digelec)

**SMS:** Sprint PLUS48/Optima/Expert/MultiSyte/-Plus

**Stag:** Eclipse, 3000, Quasar-1040/1084, Solar, PP39/40/41/42, Orbit, and Stratos 2

**System General:** Multi-APRO, APRO, TURPRO-1/-1FX, SGUP-85A and TURPRO-832/840

Additionally, any programmer supporting the DIP package equivalent.



EMULATION TECHNOLOGY, INC.

2344 WALSH AVENUE • BUILDING F  
SANTA CLARA, CA 95051-1301

TEL 408 / 982.0660 • FAX 408 / 982.0664

Call today for a FREE Full Line Catalog and Unlimited Application Consulting!