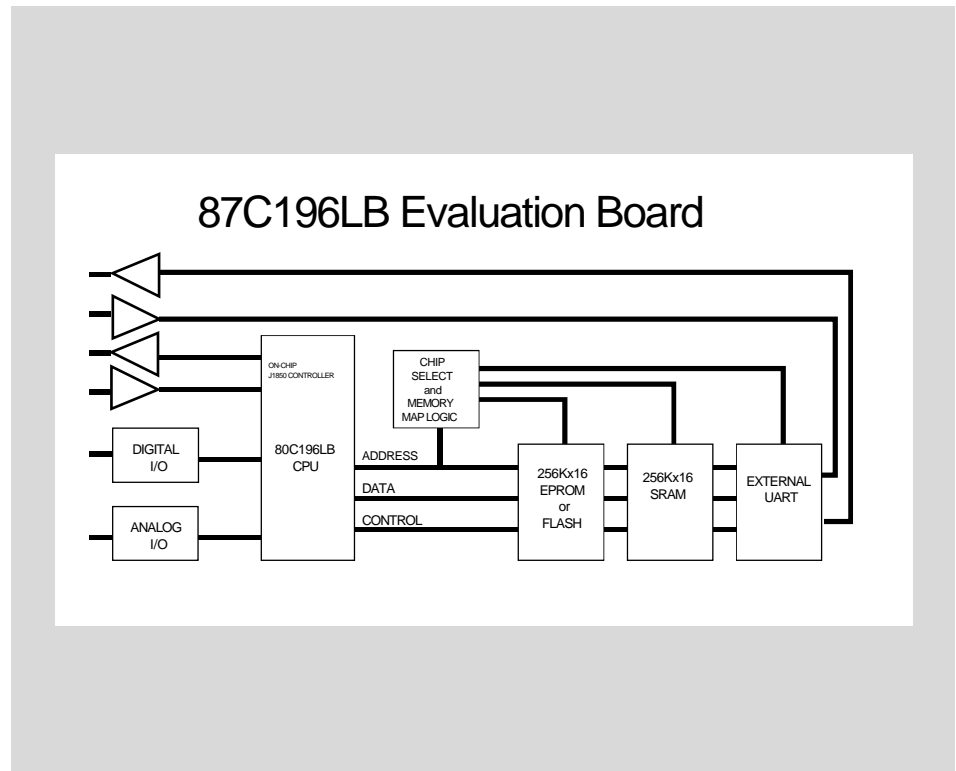


## EV80C196LB Evaluation Board

- J1850 Network Interface Based on Intel's 80C196LB Microcontroller
- 256K of RAM
- 256K of EPROM (Interchangeable to Flash)
- Microcontroller Bus Expansion Connector For Custom Hardware Interfaces
- Harris 7020 Physical Layer Provided (Adaptable)

The EV80C196LB Evaluation Board is a single channel J1850 development platform featuring the Intel 80C196CB. It is intended to aid in the development and analysis of multiplex networks using the J1850 protocol. With RISM 2.0 on-board it supports interface with iECM96. This product is delivered with the development platform, iECM96EX, and power connectors. A demonstration version of Tasking C/ assembler is also provided.



MICROCONTROLLERS  
SUPPORTED:  
80C196CB

DEVELOPMENT PLATFORMS:  
PC

AVAILABILITY:  
Now

CONTACT:  
Dearborn Group Technology  
37632 Hills Tech Drive  
Farmington Hills, MI 48331  
Phone: (810) 488-2080  
FAX: (810) 488-2082  
e-mail: dg@dgtech.com  
WWW: <http://www.dgtech.com>  
For international contacts, see Appendix B.